



GLV

SERIES



PRESSURE *RELIEF VALVES*



GLV SERIES

TABLE OF CONTENTS

ST. STEEL VERSION

Introduction		Page	1
Type A	DN15	Page	2 - 3
Type B	DN25	Page	4 - 5
Type C	DN40	Page	6 - 7
Type D	DN50	Page	8 - 9
Type F		Page	11

COPPER ALLOY VERSION

Type E		Page	10
--------	--	------	----

PLASTIC VERSION

Introduction		Page	13
Type A	DN15	Page	14 - 15
Type B	DN25	Page	16 - 17
Type C	DN40	Page	18 - 19
Type D	DN50	Page	20 - 21

Relief Valves GLV-Series are spring loaded pressure relieving devices, suitable for discharge of incompressible fluids. GLV-series relief valves are used to protect personnel and equipment by preventing excessive pressure accumulation.

Coi Technology offers a large range of screwed and flanged valves in a variety of sizes, materials and options. The valves are of a full nozzle type and available in Steel or plastic versions.

Application

- Chemical plants
- Petrochemical plants
- Dosing systems
- Injections skids
- Metering pumps
- Water treatment and desalination plants
- Cryogenic plants (liquefied gases)

Materials

AISI 316L, Inconel, Alloy 20, Hastelloy, Titanium, Duplex, Super duplex, Monel, other exotic materials are available.

Design

- Construction: Angle-type
- Seat sealing type: PTFE, PEEK, Metal to Metal, Viton, Kalrez, EPDM
- Connections: Screwed and flanged (ANSI / DIN)
- Connections types: NPT, GAS/BSPP
- Flange ratings: ASME 150 ÷ 2500 / PN16 ÷ PN 400
- Sizes: 1/2" ÷ 2" / DN 15 ÷ DN 50
- Orifices: 6, 8, 10, 14, 20, 25, 30 mm
- Characteristic: Full lift
- Overpressure: 10%
- Blowdown: 15%
- Discharge coeff. Kd: 0.7
- Temperature range: - 196°C + 350°C
- Set pressure range: 0.5 ÷ 800 barg
- Design standard: EN 4126-1

Approvals

- CE marking according to 97/23/CE (PED) mod. H1
- ATEX 94/9/CEM

TYPE "A"

MATERIALS

CHARACTERISTICS

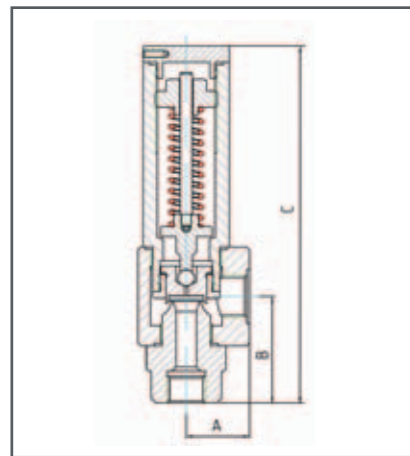
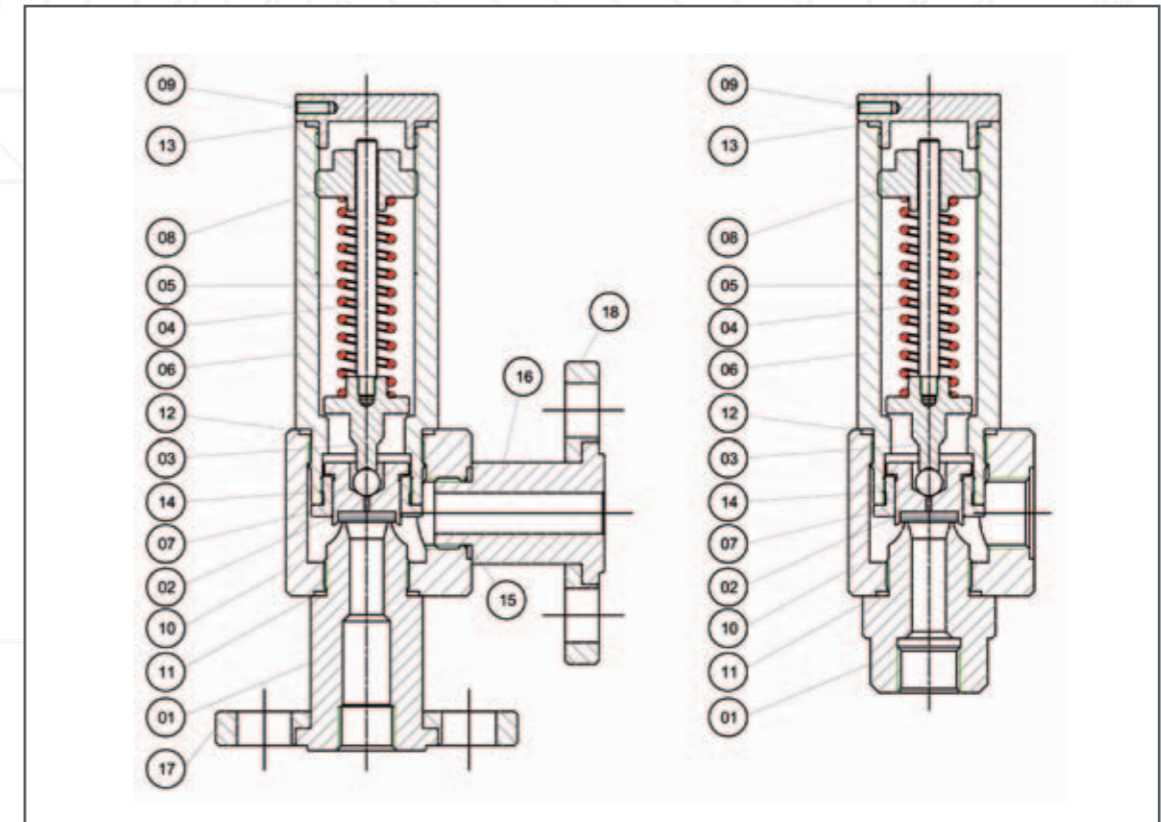
Orifice \varnothing / mm	6	8	10
Discharge area / cm ²	0.28	0.504	0.785
Pressure range / bar	0.5 ÷ 690	0.5 ÷ 250	0.5 ÷ 110

INLET CONNECTIONS

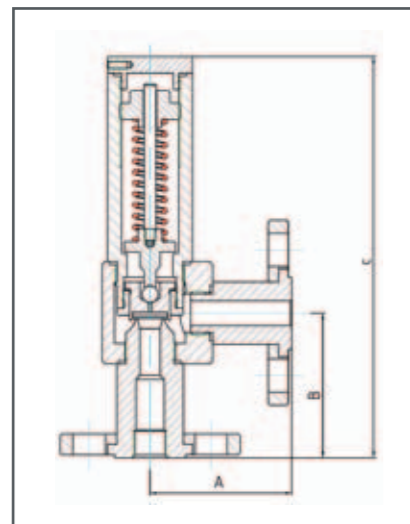
Threaded	1/2" - 3/4"	NPT / GAS	
Flanged / ASME	1/2" - 3/4"	150# ÷ 2500#	RF / RTJ
Flanged / DIN	DN15/DN20	PN16 ÷ PN400	

OUTLET CONNECTIONS

Threaded	1/2" - 3/4"	NPT / GAS	
Flanged / ASME	1/2" - 3/4"	150# ÷ 600#	RF
Flanged / DIN	DN15/DN20	PN16 ÷ PN40	



CONNECTIONS	THREADED	A	B	C	WEIGHT
	Type	mm	mm	mm	kg
1/2" x 1/2"	NPT-F / GAS-F	37	53	177	2,5
3/4" x 3/4"	NPT-F / GAS-F	37	53	177	2,5



CONNECTIONS	FLANGED	A	B	C	WEIGHT
	Type	mm	mm	mm	kg
1/2" x 1/2"	ASME 150÷300 x 150÷300	70	70	194	4,0
	ASME 600 x 600	85	85	209	4,0
	ASME 900÷1500 x 150÷600	85	100	224	6,0
	ASME 2500 x 150÷600	85	100	224	7,0
3/4" x 3/4"	ASME 150÷600 x 150÷600	85	85	209	4,5
	ASME 900÷1500 x 150÷600	100	100	224	6,5
	ASME 2500 x 150÷600	100	105	229	7,5
DN15 x DN15	PN 16÷40 x 16÷40	70	70	194	4,0
	PN 63÷320 x 16÷40	85	100	224	6,0
	PN 400 x 16÷40	85	100	224	7,0
DN20 x DN20	PN 16÷40 x 16÷40	85	85	209	4,5
	PN 63÷320 x 16÷40	100	100	224	6,5
	PN 400 x 16÷40	100	105	229	7,5

	PART NAME	MATERIAL CODE			
		011	072	012	092
01	NOZZLE	AISI 316L	AISI 316L	AISI 316L	AISI 316L
02	DISC	AISI 316L/PTFE	AISI 316L/PTFE	AISI 316L/PEEK	AISI 316L/PEEK
03	LOWER WASHER	AISI 316L	AISI 316L	AISI 316L	AISI 316L
04	STEM	AISI 316L	AISI 316L	AISI 316L	AISI 316L
05	SPRING	ALL. STEEL	ALL. STEEL	ALL. STEEL	ALL. STEEL
06	BONNET	AISI 316L	AISI 316L	AISI 316L	AISI 316L
07	GUIDE	AISI 316L	AISI 316L	AISI 316L	AISI 316L
08	SET SCREW	AISI 316L	AISI 316L	AISI 316L	AISI 316L
09	CAP	AISI 316L	AISI 316L	AISI 316L	AISI 316L
10	BODY	AISI 316L	AISI 316L	AISI 316L	AISI 316L
11	GASKET	PTFE	PTFE	PTFE	PTFE
12	GASKET	PTFE	PTFE	PTFE	PTFE
13	GASKET	PTFE	PTFE	PTFE	PTFE
14	BALL	AISI 316	AISI 316	AISI 316	AISI 316
15	GASKET	PTFE	PTFE	PTFE	PTFE
16	NIPPLE	AISI 316L	AISI 316L	AISI 316L	AISI 316L
17	FLANGE	CARBON STEEL	AISI 316	CARBON STEEL	AISI 316
18	FLANGE	CARBON STEEL	AISI 316	CARBON STEEL	AISI 316

TYPE "B"

MATERIALS

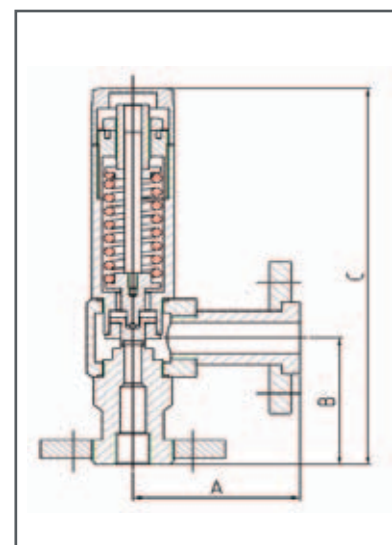
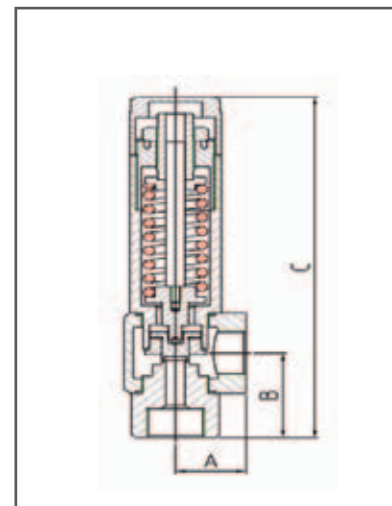
CHARACTERISTICS				
Orifice \varnothing / mm	6	8	10	14
Discharge area / cm ²	0.28	0.504	0.785	1.54
Pressure range / bar	0.5 ÷ 690	0.5 ÷ 410	0.5 ÷ 130	0.5 ÷ 65

INLET CONNECTIONS

Threaded	1/2" - 3/4" - 1"	NPT / GAS		
Flanged / ASME	1/2" - 3/4" - 1"	150# ÷ 2500#	RF / RTJ	
Flanged / DIN	DN15/DN25	PN16 ÷ PN400		

OUTLET CONNECTIONS

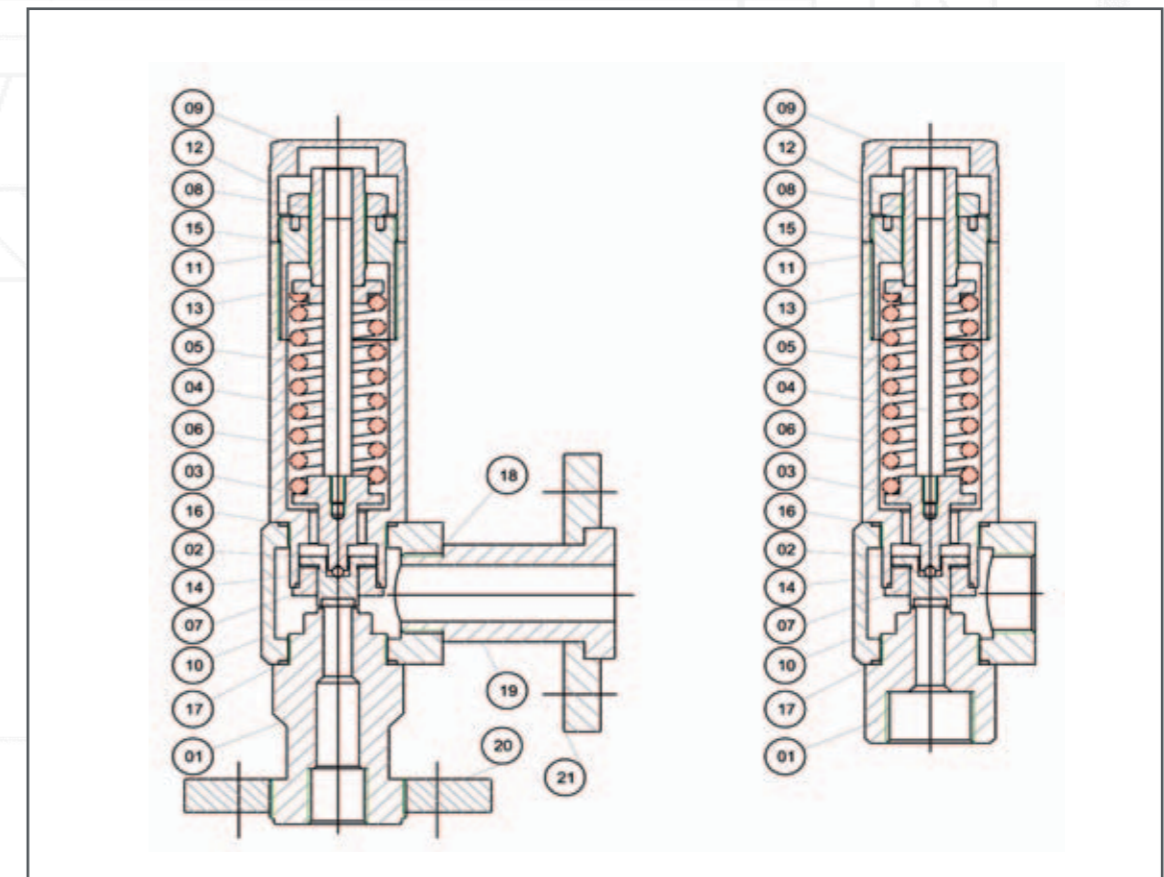
Threaded	1"	NPT / GAS		
Flanged / ASME	1"	150# ÷ 600#	RF	
Flanged / DIN	DN25	PN16 ÷ PN40		



CONNECTIONS	THREADED	A	B	C	WEIGHT
	Type	mm	mm	mm	kg
1/2" x 1"	NPT-F / GAS-F	37/42*	60	237	3,5
3/4" x 1"	NPT-F / GAS-F	37/42*	60	237	3,5
1" x 1"	NPT-F / GAS-F	37/42*	60	237	3,5

* Orifice. 10/14 mm

CONNECTIONS	FLANGED	A	B	C	WEIGHT
	Type	mm	mm	mm	kg
1/2" x 1"	ASME 150÷600 x 150÷600	98	90	267	5,5
	ASME 900÷1500 x 150÷600	98	115	292	7,0
	ASME 2500 x 150÷600	98	115	292	8,0
3/4" x 1"	ASME 150÷600 x 150÷600	98	90	267	5,5
	ASME 900÷1500 x 150÷600	98	115	292	7,0
	ASME 2500 x 150÷600	98	115	292	8,0
1" x 1"	ASME 150÷600 x 150÷600	98	90	267	5,5
	ASME 900÷1500 x 150÷600	98	115	292	7,0
	ASME 2500 x 150÷600	98	115	292	8,0
DN15 x DN25	PN 16÷40 x 16÷40	98	90	267	5,5
	PN 63÷320 x 16÷40	98	115	292	7,0
	PN 400 x 16÷40	98	115	292	8,0
DN20 x DN25	PN 16÷40 x 16÷40	98	90	267	5,5
	PN 63÷320 x 16÷40	98	115	292	7,0
	PN 400 x 16÷40	98	115	292	8,0
DN25 x DN25	PN 16÷40 x 16÷40	98	90	267	5,5
	PN 63÷320 x 16÷40	98	115	292	7,0
	PN 400 x 16÷40	98	115	292	8,0



	PART NAME	MATERIAL CODE			
		011	072	012	092
01	NOZZLE	AISI 316L	AISI 316L	AISI 316L	AISI 316L
02	DISC	AISI 316L/PTFE	AISI 316L/PTFE	AISI 316L/PEEK	AISI 316L/PEEK
03	LOWER WASHER	AISI 316L	AISI 316L	AISI 316L	AISI 316L
04	STEM	AISI 316L	AISI 316L	AISI 316L	AISI 316L
05	SPRING	ALL. STEEL	ALL. STEEL	ALL. STEEL	ALL. STEEL
06	BONNET	AISI 316L	AISI 316L	AISI 316L	AISI 316L
07	GUIDE	AISI 316L	AISI 316L	AISI 316L	AISI 316L
08	SET SCREW	AISI 316L	AISI 316L	AISI 316L	AISI 316L
09	CAP	AISI 316L	AISI 316L	AISI 316L	AISI 316L
10	BODY	AISI 316L	AISI 316L	AISI 316L	AISI 316L
11	PRE SETT. SCREW	AISI 316L	AISI 316L	AISI 316L	AISI 316L
12	NUT	AISI 316L	AISI 316L	AISI 316L	AISI 316L
13	WASHER	AISI 316L	AISI 316L	AISI 316L	AISI 316L
14	BALL	AISI 316	AISI 316	AISI 316	AISI 316
15	GASKET	AISI 316L	AISI 316L	AISI 316L	AISI 316L
16	GASKET	PTFE	PTFE	PTFE	PTFE
17	GASKET	PTFE	PTFE	PTFE	PTFE
18	GASKET	PTFE	PTFE	PTFE	PTFE
19	NIPPLE	AISI 316L	AISI 316L	AISI 316L	AISI 316L
20	FLANGE	CARBON STEEL	AISI 316	CARBON STEEL	AISI 316
21	FLANGE	CARBON STEEL	AISI 316	CARBON STEEL	AISI 316

TYPE "C"

MATERIALS

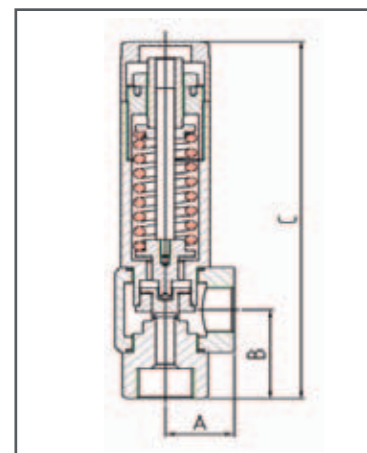
CHARACTERISTICS				
Orifice \varnothing / mm	8	10	14	
Discharge area / cm ²	0.504	0.785	1.54	
Pressure range / bar	0.5 ÷ 415	0.5 ÷ 220	0.5 ÷ 65	

INLET CONNECTIONS

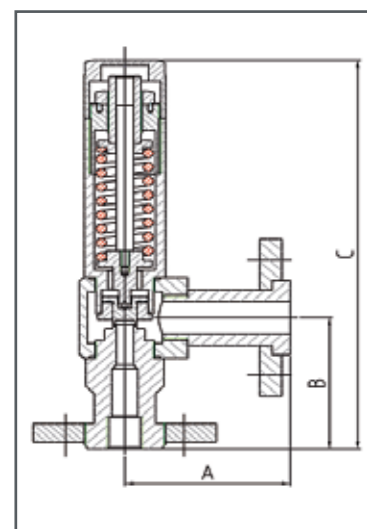
Threaded	1" - 1 1/2"	NPT / GAS		
Flanged / ASME	1" - 1 1/2"	150# ÷ 2500#	RF / RTJ	
Flanged / DIN	DN25/DN40	PN16 ÷ PN400		

OUTLET CONNECTIONS

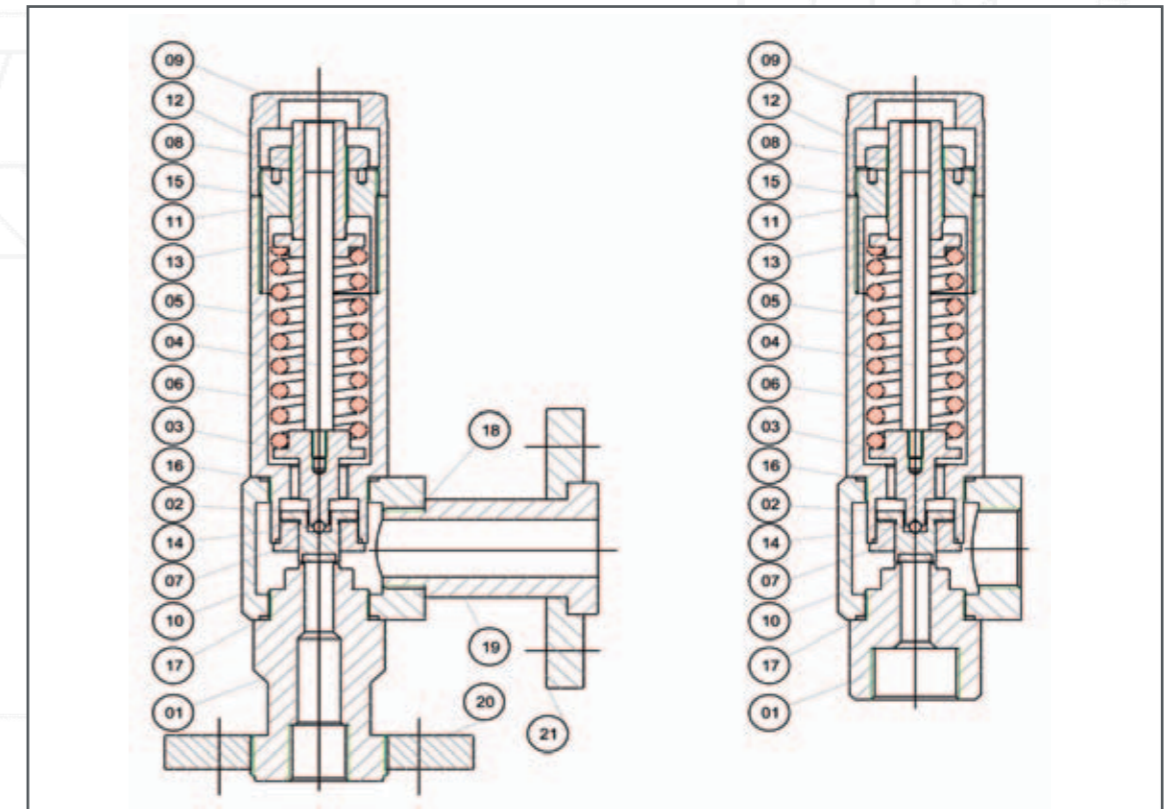
Threaded	1 1/2"	NPT / GAS		
Flanged / ASME	1 1/2"	150# ÷ 600#	RF	
Flanged / DIN	DN40	PN16 ÷ PN40		



CONNECTIONS	THREADED	A	B	C	WEIGHT
Type		mm	mm	mm	kg
1" x 1 1/2"	NPT-F / GAS-F	45	70	250	4,5
1 1/2" x 1 1/2"	NPT-F / GAS-F	45	70	250	4,5



CONNECTIONS	FLANGED	A	B	C	WEIGHT
Type		mm	mm	mm	kg
1" x 1 1/2"	ASME 150÷600 x 150÷600	115	115	295	8
	ASME 900÷1500 x 150÷600	115	115	295	9,5
	ASME 2500 x 150÷600	130	130	310	10
1 1/2" x 1 1/2"	ASME 150÷600 x 150÷600	115	115	295	8
	ASME 900÷1500 x 150÷600	130	130	310	9,5
	ASME 2500 x 150÷600	130	130	310	10
DN25 x DN40	PN 16÷40 x 16÷40	115	115	295	8
	PN 63÷320 x 16÷40	115	115	295	9,5
	PN 400 x 16÷40	130	130	310	10
DN40 x DN40	PN 16÷40 x 16÷40	115	115	295	8
	PN 63÷320 x 16÷40	130	130	310	9,5
	PN 400 x 16÷40	130	130	310	10



PART NAME		MATERIAL CODE			
		011	072	012	092
01	NOZZLE	AISI 316L	AISI 316L	AISI 316L	AISI 316L
02	DISC	AISI 316L/PTFE	AISI 316L/PTFE	AISI 316L/PEEK	AISI 316L/PEEK
03	LOWER WASHER	AISI 316L	AISI 316L	AISI 316L	AISI 316L
04	STEM	AISI 316L	AISI 316L	AISI 316L	AISI 316L
05	SPRING	ALL. STEEL	ALL. STEEL	ALL. STEEL	ALL. STEEL
06	BONNET	AISI 316L	AISI 316L	AISI 316L	AISI 316L
07	GUIDE	AISI 316L	AISI 316L	AISI 316L	AISI 316L
08	SET SCREW	AISI 316L	AISI 316L	AISI 316L	AISI 316L
09	CAP	AISI 316L	AISI 316L	AISI 316L	AISI 316L
10	BODY	AISI 316L	AISI 316L	AISI 316L	AISI 316L
11	PRE SETT. SCREW	AISI 316L	AISI 316L	AISI 316L	AISI 316L
12	NUT	AISI 316L	AISI 316L	AISI 316L	AISI 316L
13	WASHER	AISI 316L	AISI 316L	AISI 316L	AISI 316L
14	BALL	AISI 316	AISI 316	AISI 316	AISI 316
15	GASKET	PTFE	PTFE	PTFE	PTFE
16	GASKET	PTFE	PTFE	PTFE	PTFE
17	GASKET	PTFE	PTFE	PTFE	PTFE
18	GASKET	PTFE	PTFE	PTFE	PTFE
19	NIPPLE	AISI 316L	AISI 316L	AISI 316L	AISI 316L
20	FLANGE	CARBON STEEL	AISI 316	CARBON STEEL	AISI 316
21	FLANGE	CARBON STEEL	AISI 316	CARBON STEEL	AISI 316

TYPE "D"

MATERIALS

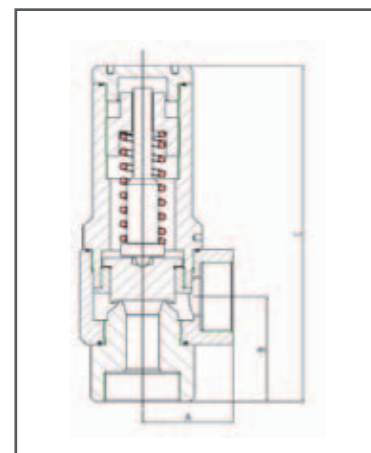
CHARACTERISTICS				
Orifice \varnothing / mm	14	20	25	30
Discharge area / cm ²	1.54	3.14	4.91	7.068
Pressure range / bar	0.5 ÷ 220	0.5 ÷ 48	0.5 ÷ 48	0.5 ÷ 48

INLET CONNECTIONS

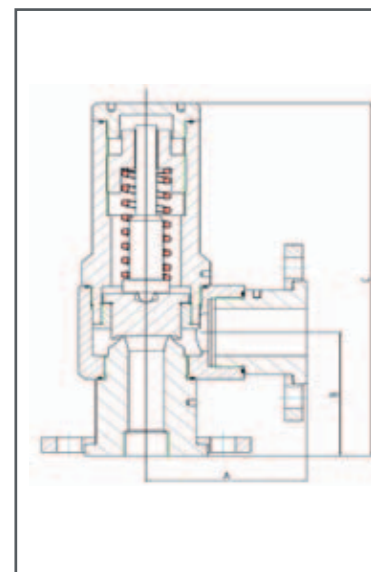
Threaded	1 1/2" - 2"	NPT / GAS		
Flanged / ASME	1 1/2" - 2"	150# ÷ 2500#	RF / RTJ	
Flanged / DIN	DN40/DN50	PN16 ÷ PN400		

OUTLET CONNECTIONS

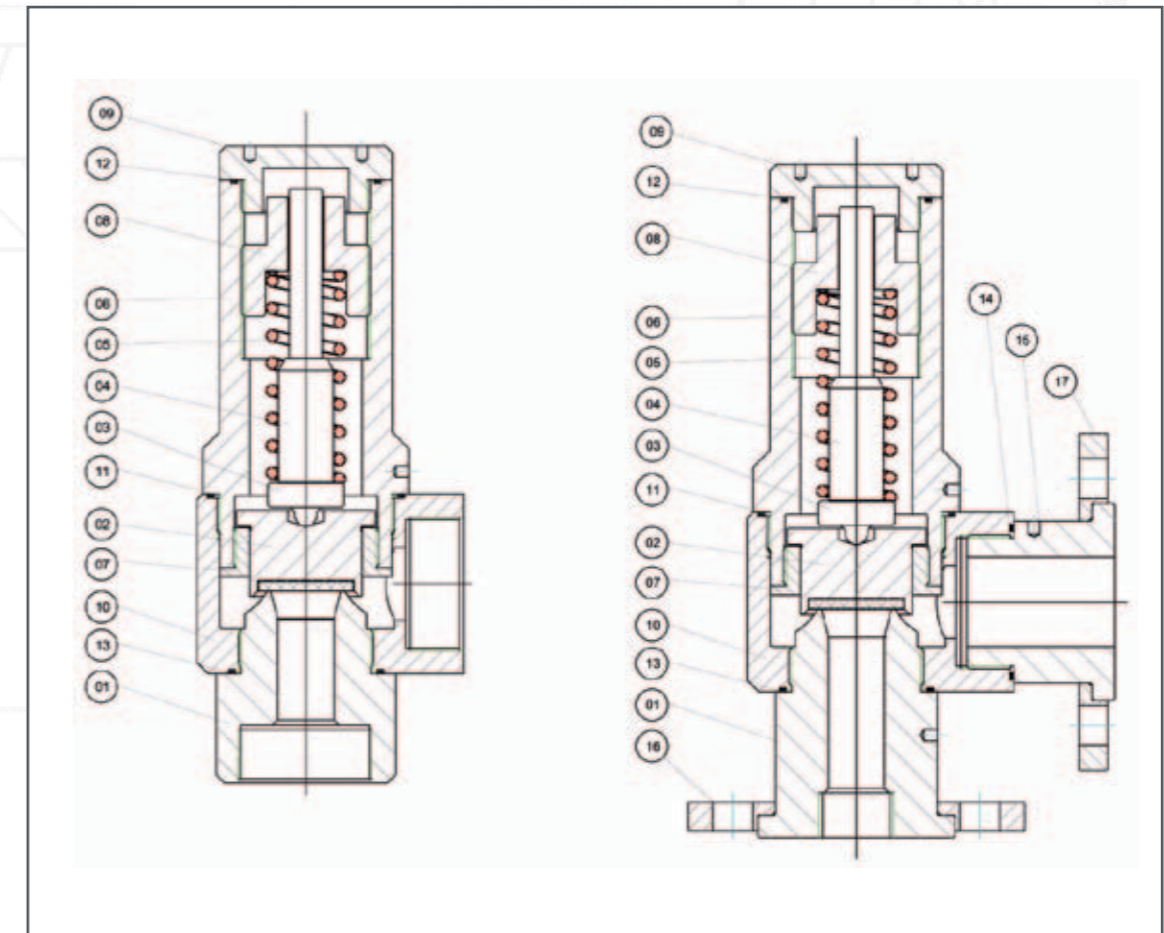
Threaded	2"	NPT / GAS		
Flanged / ASME	2"	150# ÷ 600#	RF	
Flanged / DIN	DN50	PN16 ÷ PN40		



CONNECTIONS	THREADED	A	B	C	WEIGHT
Type		mm	mm	mm	kg
1 1/2" x 2"	NPT-F / GAS-F	70	85	275	7,5
2" x 2"	NPT-F / GAS-F	70	85	275	7,5



CONNECTIONS	FLANGED	A	B	C	WEIGHT
Type		mm	mm	mm	kg
1 1/2" x 2"	ASME 150÷600 x 150÷600	120	115	305	10
	ASME 900÷1500 x 150÷600	150	135	325	22
	ASME 2500 x 150÷600	150	150	340	27
2" x 2"	ASME 150÷600 x 150÷600	120	120	310	19
	ASME 900÷1500 x 150÷600	150	140	325	23
	ASME 2500 x 150÷600	150	150	340	28
DN40 x DN50	PN 16÷40 x 16÷40	120	120	310	18
	PN 63÷320 x 16÷40	150	140	325	22
	PN 400 x 16÷40	150	150	340	27
DN50 x DN50	PN 16÷40 x 16÷40	120	120	310	19
	PN 63÷320 x 16÷40	150	140	325	23
	PN 400 x 16÷40	150	150	340	28



PART NAME		MATERIAL CODE			
		011	072	012	092
01	NOZZLE	AISI 316L	AISI 316L	AISI 316L	AISI 316L
02	DISC	AISI 316L/PTFE	AISI 316L/PTFE	AISI 316L/PEEK	AISI 316L/PEEK
03	LOWER WASHER	AISI 316L	AISI 316L	AISI 316L	AISI 316L
04	STEM	AISI 316L	AISI 316L	AISI 316L	AISI 316L
05	SPRING	ALL. STEEL	ALL. STEEL	ALL. STEEL	ALL. STEEL
06	BONNET	AISI 316L	AISI 316L	AISI 316L	AISI 316L
07	GUIDE	AISI 316L	AISI 316L	AISI 316L	AISI 316L
08	SET SCREW	AISI 316L	AISI 316L	AISI 316L	AISI 316L
09	CAP	AISI 316L	AISI 316L	AISI 316L	AISI 316L
10	BODY	AISI 316L	AISI 316L	AISI 316L	AISI 316L
11	GASKET	PTFE	PTFE	PTFE	PTFE
12	GASKET	PTFE	PTFE	PTFE	PTFE
13	GASKET	PTFE	PTFE	PTFE	PTFE
14	GASKET	PTFE	PTFE	PTFE	PTFE
15	NIPPLE	AISI 316L	AISI 316L	AISI 316L	AISI 316L
16	FLANGE	CARBON STEEL	AISI 316L	CARBON STEEL	AISI 316L
17	FLANGE	CARBON STEEL	AISI 316L	CARBON STEEL	AISI 316L

TYPE "E"

TYPE "F"

CHARACTERISTICS

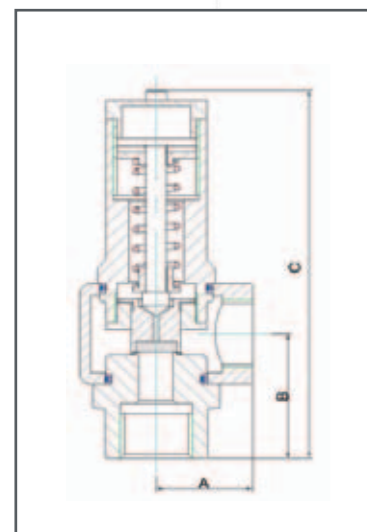
Orifice ø / mm	10		
Discharge area / cm ²	0.785		
Pressure range / bar	0.5 ÷ 40		

INLET CONNECTIONS

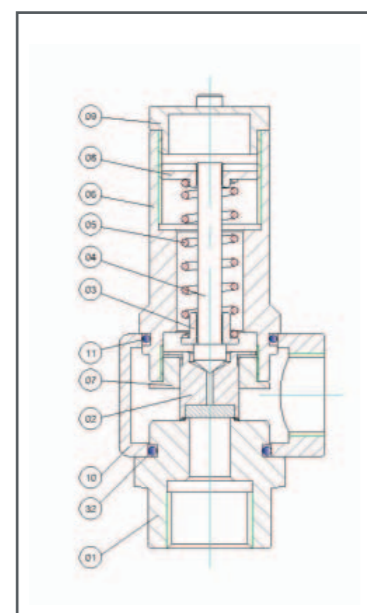
Threaded	3/8" - 1/2"	NPT / GAS	
----------	-------------	-----------	--

OUTLET CONNECTIONS

Threaded	1/2"	NPT / GAS	
----------	------	-----------	--



CONNECTIONS	THREADED	A	B	C	WEIGHT
	Type	mm	mm	mm	kg
3/8" x 1/2"	GAS-F-M NPT-F-M	28	38,5	121	0,7
1/2" x 1/2"	GAS-F-M NPT-F-M	28	38,5	121	0,7



MATERIALS

PART NAME	MATERIAL CODE		
	094	003	052
01 NOZZLE	BRONZE	BRASS	AISI 316L
02 DISC	BRONZE/PTFE	BRASS/PTFE	AISI 316L/PTFE
03 LOW. WASHER	BRASS	BRASS	BRASS
04 STEM	BRASS	BRASS	BRASS
05 SPRING	AISI 316	AISI 316	AISI 316
06 BONNET	BRASS	BRASS	BRASS
07 GUIDE	BRASS	BRASS	BRASS
08 SET SCREW	BRASS	BRASS	BRASS
09 CAP	BRASS	BRASS	BRASS
10 BODY	BRASS	BRASS	BRASS
11 GASKET	SILICON	VITON	VITON
12 GASKET	SILICON	VITON	VITON

CHARACTERISTICS

Orifice ø / mm	6	8	
Discharge area / cm ²	0.28	0.502	
Pressure range / bar	0.5 ÷ 790	0.5 ÷ 150	

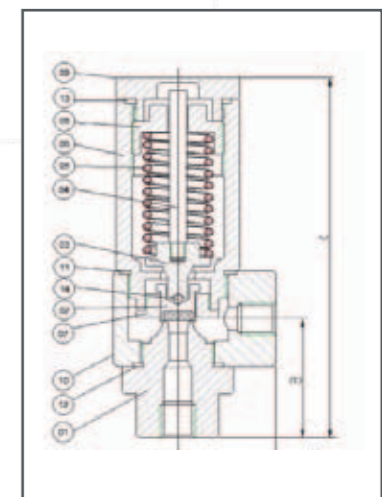
INLET CONNECTIONS

Threaded	1/4" - 1/2"	NPT / GAS	
----------	-------------	-----------	--

OUTLET CONNECTIONS

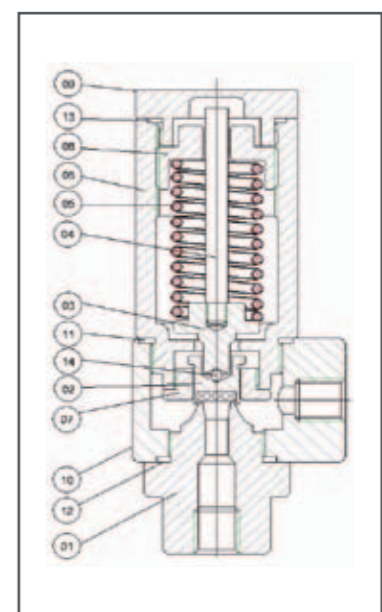
Threaded	1/4" - 1/2"	NPT / GAS	
----------	-------------	-----------	--

CONNECTIONS	THREADED	A	B	C	WEIGHT
	Type	mm	mm	mm	kg
1/4" x 1/4"	GAS-F/ NPT-F	33,5	43,5	138	1,2
1/2" x 1/2"	GAS-F/ NPT-F	33,5	43,5	138	1,2



MATERIALS

PART NAME	MATERIAL CODE	
	011	012
01 NOZZLE	AISI 316L	AISI 316L
02 DISC	AISI 316L/PTFE	AISI 316L/PEEK
03 LOW. WASHER	AISI 316L	AISI 316L
04 STEM	AISI 316L	AISI 316L
05 SPRING	ALL. STEEL	ALL. STEEL
06 BONNET	AISI 316L	AISI 316L
07 GUIDE	AISI 316L	AISI 316L
08 SET SCREW	AISI 316L	AISI 316L
09 CAP	AISI 316L	AISI 316L
10 BODY	AISI 316L	AISI 316L
11 GASKET	PTFE	PTFE
12 GASKET	PTFE	PTFE
13 GASKET	PTFE	PTFE
14 BALL	AISI 316	AISI 316



GLV

SERIES Plastic Version



Relief Valves GLV-Series PLASTIC VERSION

Application

- Chemical plants
- Petrochemical plants
- Dosing systems
- Injections skids
- Metering pumps
- Water treatment and desalination plants

Materials

PVC, PVC-C, PP, PVDF, PTFE.

Design

- | | |
|------------------------|----------------------------------|
| - Construction: | Angle-type |
| - Seat sealing type: | PTFE |
| - Connections: | Screwed and flanged (ANSI / DIN) |
| - Connections types: | GAS / BSPP |
| - Flange ratings: | ASME 150 ÷ 300 / PN16 ÷ PN 40 |
| - Sizes: | 1/2" ÷ 2" / DN 15 ÷ DN 50 |
| - Orifices: | 10, 14, 20, 25, 30 mm |
| - Characteristic: | Full lift |
| - Overpressure: | 10% |
| - Blowdown: | 15% |
| - Discharge coeff. Kd: | 0.7 |
| - Temperature range: | - 20°C + 180°C |
| - Set pressure range: | 0.5 ÷ 12 barg |
| - Design standard | EN 4162-1 |

Approvals

- CE marking according to 97/23/CE (PED) mod. H1

TYPE "A"

CHARACTERISTICS

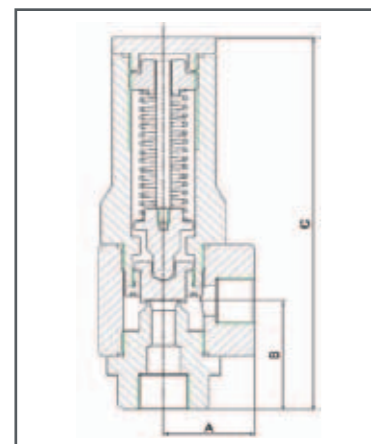
Orifice \varnothing / mm	10		
Discharge area / cm ²	0.785		
Pressure range / bar	0.5 ÷ 12		

INLET CONNECTIONS

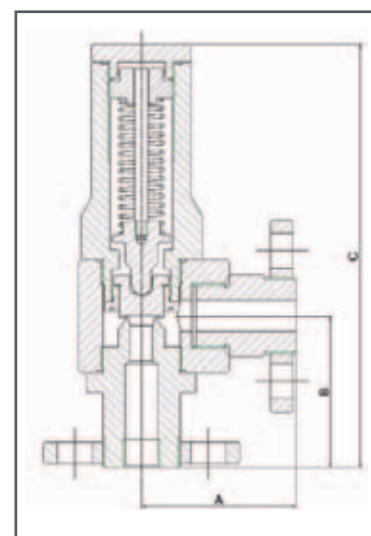
Threaded	1/2" - 3/4"	GAS	
Flanged / ASME	1/2" - 3/4"	150# ÷ 300#	RF / FF
Flanged / DIN	DN15 - DN20	PN16 ÷ PN40	

OUTLET CONNECTIONS

Threaded	1/2" - 3/4"	GAS	
Flanged / ASME	1/2" - 3/4"	150# ÷ 300#	RF / FF
Flanged / DIN	DN15 - DN20	PN16 ÷ PN40	

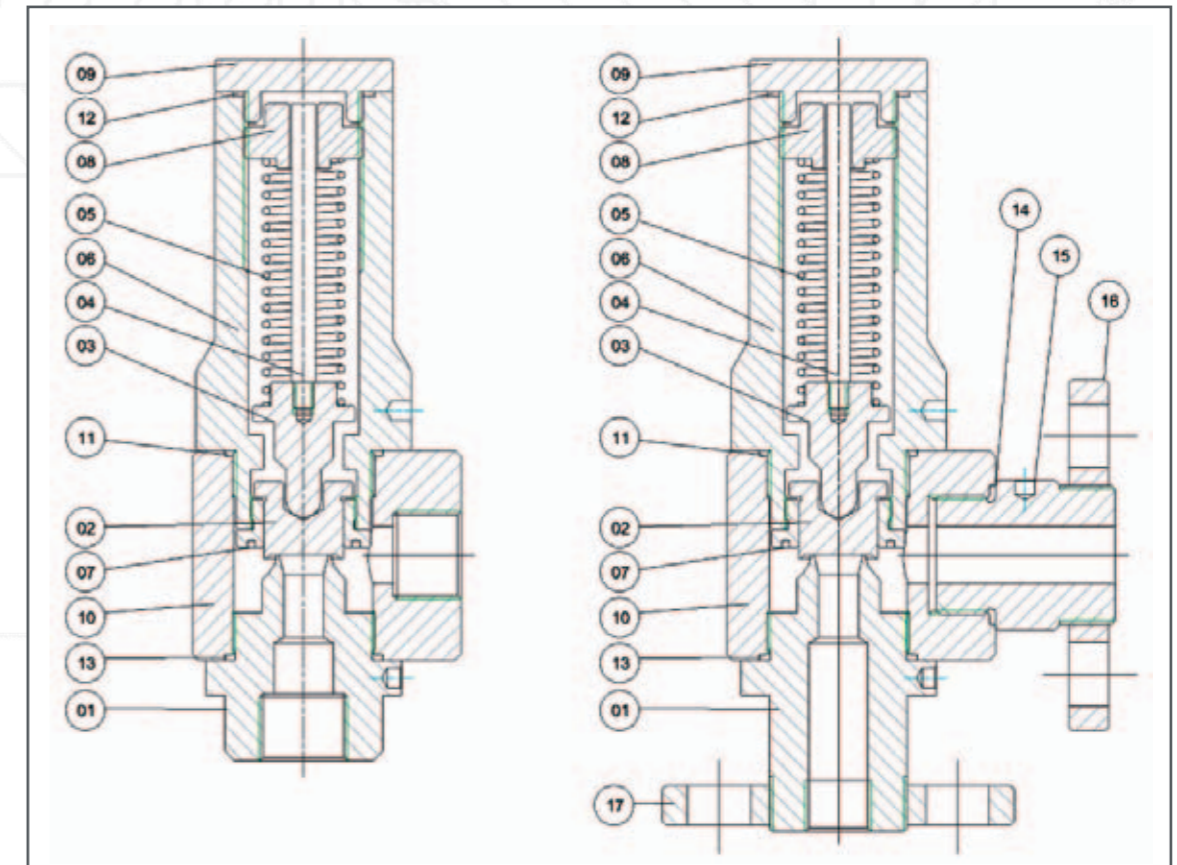


CONNECTIONS	THREADED	A	B	C	WEIGHT
Type		mm	mm	mm	kg
1/2" x 1/2"	GAS-F	40	52	182	1,5
3/4" x 3/4"	GAS-F	40	52	182	1,5



CONNECTIONS	FLANGED	A	B	C	WEIGHT
Type		mm	mm	mm	kg
1/2" x 1/2"	ASME 150÷300 x 150÷300	70	70	200	2,5
3/4" x 3/4"	ASME 150÷300 x 150÷300	85	85	215	3,0
DN15 x DN15	PN 16÷40 x 16÷40	70	70	200	2,5
DN20 x DN20	PN 16÷40 x 16÷40	85	85	215	3,0

MATERIALS



	PART NAME	MATERIAL CODE					
		063	125	126	062	127	128
01	NOZZLE	PVC	PVC	PVC	PP	PP	PP
02	DISC	PTFE	PTFE	PTFE	PTFE	PTFE	PTFE
03	LOWER WASHER	PVC	PVC	PVC	PP	PP	PP
04	STEM	PVC	PVC	PVC	PP	PP	PP
05	SPRING	ALL. STEEL	ALL. STEEL	ALL. STEEL	ALL. STEEL	ALL. STEEL	ALL. STEEL
06	BONNET	PVC	PVC	PVC	PP	PP	PP
07	GUIDE	PVC	PVC	PVC	PP	PP	PP
08	SET SCREW	PVC	PVC	PVC	PP	PP	PP
09	CAP	PVC	PVC	PVC	PP	PP	PP
10	BODY	PVC	PVC	PVC	PP	PP	PP
11	GASKET	PTFE	PTFE	PTFE	PTFE	PTFE	PTFE
12	GASKET	PTFE	PTFE	PTFE	PTFE	PTFE	PTFE
13	GASKET	PTFE	PTFE	PTFE	PTFE	PTFE	PTFE
14	GASKET	PTFE	PTFE	PTFE	PTFE	PTFE	PTFE
15	NIPPLE	PVC	PVC	PVC	PP	PP	PP
16	FLANGE	CARBON STEEL	AISI 316	PP LINED C.S.	CARBON STEEL	AISI 316	PP LINED C.S.
17	FLANGE	CARBON STEEL	AISI 316	PP LINED C.S.	CARBON STEEL	AISI 316	PP LINED C.S.

TYPE "B"

MATERIALS

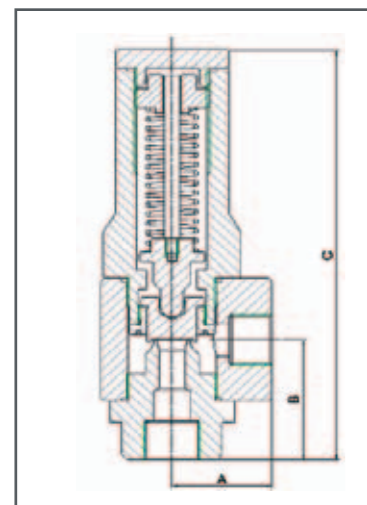
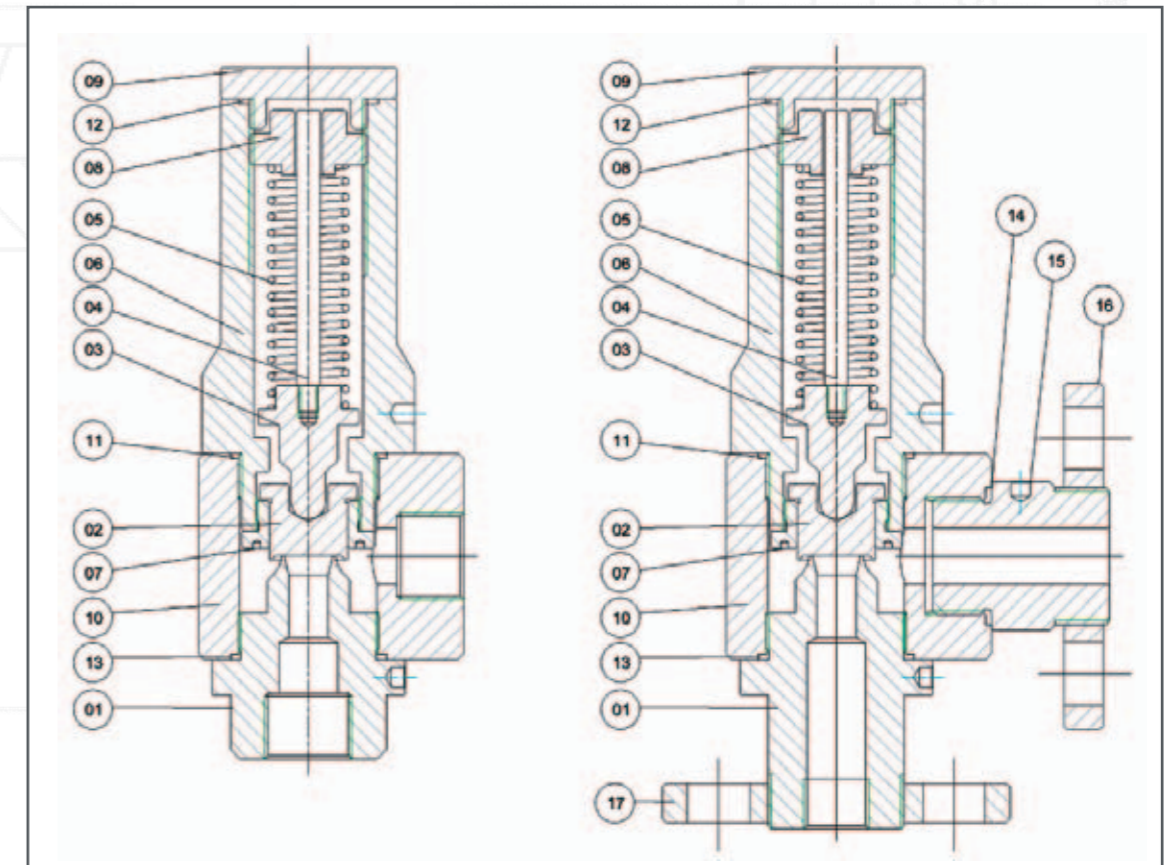
CHARACTERISTICS			
Orifice \varnothing / mm	10		
Discharge area / cm ²	0.785		
Pressure range / bar	0.5 ÷ 12		

INLET CONNECTIONS

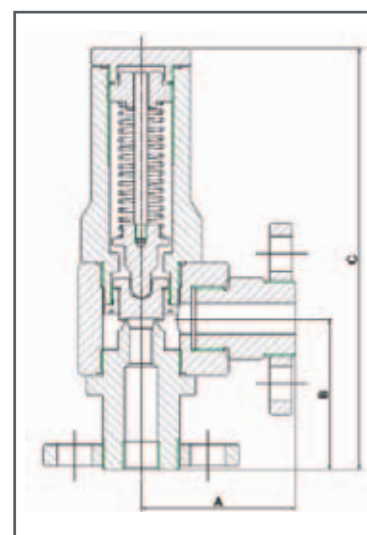
Threaded	1/2" - 3/4" - 1"	GAS	
Flanged / ASME	1/2" - 3/4" - 1"	150# ÷ 300#	RF / FF
Flanged / DIN	DN15 ÷ DN25	PN16 ÷ PN40	

OUTLET CONNECTIONS

Threaded	1"	GAS	
Flanged / ASME	1"	150# ÷ 300#	RF / FF
Flanged / DIN	DN25	PN16 ÷ PN40	



CONNECTIONS	THREADED	A	B	C	WEIGHT
Type		mm	mm	mm	kg
1/2" x 1"	GAS-F	47	70	222	2,0
3/4" x 1"	GAS-F	47	70	222	2,0
1" x 1"	GAS-F	47	70	222	2,0



CONNECTIONS	FLANGED	A	B	C	WEIGHT
Type		mm	mm	mm	kg
1/2" x 1"	ASME 150÷300 x 150÷300	98	90	242	3,0
3/4" x 1"	ASME 150÷300 x 150÷300	98	90	242	3,0
3/4" x 1"	ASME 150÷300 x 150÷300	98	90	242	3,0
DN15 x DN25	PN 16÷40 x 16÷40	98	90	242	3,0
DN20 x DN25	PN 16÷40 x 16÷40	98	90	242	3,0
DN25 x DN25	PN 16÷40 x 16÷40	98	90	242	3,0

PART NAME		MATERIAL CODE					
		063	125	126	062	127	128
01	NOZZLE	PVC	PVC	PVC	PP	PP	PP
02	DISC	PTFE	PTFE	PTFE	PTFE	PTFE	PTFE
03	LOWER WASHER	PVC	PVC	PVC	PP	PP	PP
04	STEM	PVC	PVC	PVC	PP	PP	PP
05	SPRING	ALL. STEEL	ALL. STEEL	ALL. STEEL	ALL. STEEL	ALL. STEEL	ALL. STEEL
06	BONNET	PVC	PVC	PVC	PP	PP	PP
07	GUIDE	PVC	PVC	PVC	PP	PP	PP
08	SET SCREW	PVC	PVC	PVC	PP	PP	PP
09	CAP	PVC	PVC	PVC	PP	PP	PP
10	BODY	PVC	PVC	PVC	PP	PP	PP
11	GASKET	PTFE	PTFE	PTFE	PTFE	PTFE	PTFE
12	GASKET	PTFE	PTFE	PTFE	PTFE	PTFE	PTFE
13	GASKET	PTFE	PTFE	PTFE	PTFE	PTFE	PTFE
14	GASKET	PTFE	PTFE	PTFE	PTFE	PTFE	PTFE
15	NIPPLE	PVC	PVC	PVC	PP	PP	PP
16	FLANGE	CARBON STEEL	AISI 316	PP LINED C.S.	CARBON STEEL	AISI 316	PP LINED C.S.
17	FLANGE	CARBON STEEL	AISI 316	PP LINED C.S.	CARBON STEEL	AISI 316	PP LINED C.S.

TYPE "C"

MATERIALS

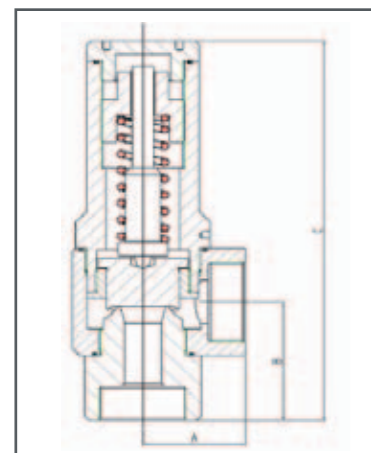
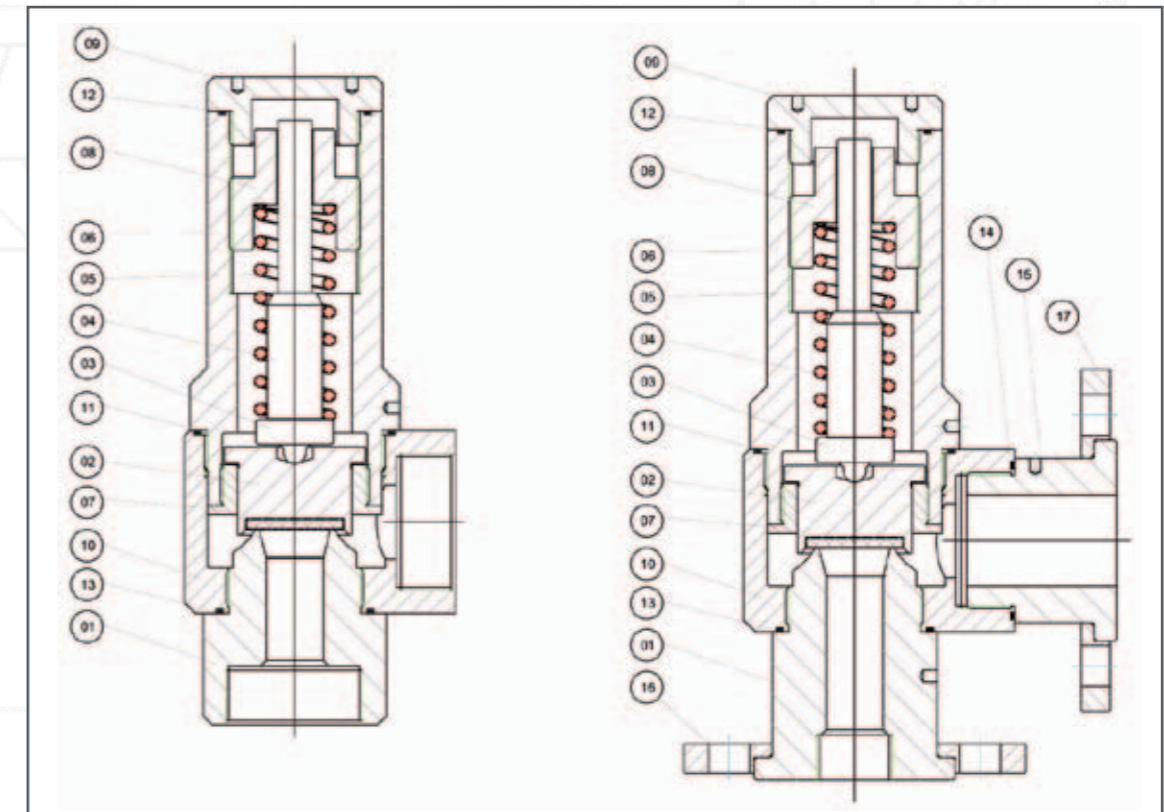
CHARACTERISTICS			
Orifice \varnothing / mm	14	20	
Discharge area / cm ²	1.54	3.14	
Pressure range / bar	0.5 ÷ 12	0.5 ÷ 9	

INLET CONNECTIONS

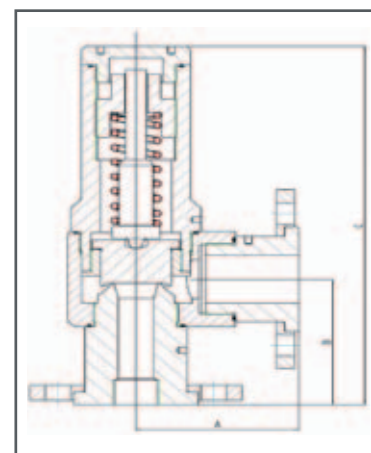
Threaded	1 1/2"	GAS / BSPP	
Flanged / ASME	1 1/2"	150# ÷ 2500#	RF / FF
Flanged / DIN	DN40	PN16 ÷ PN40	

OUTLET CONNECTIONS

Threaded	1 1/2"	GAS / BSPP	
Flanged / ASME	1 1/2"	150# ÷ 300#	RF / FF
Flanged / DIN	DN40	PN16 ÷ PN40	



CONNECTIONS	THREADED	A	B	C	WEIGHT
Type		mm	mm	mm	kg
1" x 1 1/2"	GAS-F	65	75	230	4
1 1/2" x 1 1/2"	GAS-F	65	75	230	4



CONNECTIONS	FLANGED	A	B	C	WEIGHT
Type		mm	mm	mm	kg
1" x 1 1/2"	ASME 150÷300 x 150÷300	115	105	260	6
1 1/2" x 1 1/2"	ASME 150÷300 x 150÷300	115	105	260	6
DN25 x DN40	PN 16÷40 x 16÷40	115	105	260	6
DN40 x DN40	PN 16÷40 x 16÷40	115	105	260	6

PART NAME		MATERIAL CODE					
		063	125	126	062	127	128
01	NOZZLE	PVC	PVC	PVC	PP	PP	PP
02	DISC	PTFE	PTFE	PTFE	PTFE	PTFE	PTFE
03	LOWER WASHER	PVC	PVC	PVC	PP	PP	PP
04	STEM	PVC	PVC	PVC	PP	PP	PP
05	SPRING	ALL. STEEL	ALL. STEEL	ALL. STEEL	ALL. STEEL	ALL. STEEL	ALL. STEEL
06	BONNET	PVC	PVC	PVC	PP	PP	PP
07	GUIDE	PVC	PVC	PVC	PP	PP	PP
08	SET SCREW	PVC	PVC	PVC	PP	PP	PP
09	CAP	PVC	PVC	PVC	PP	PP	PP
10	BODY	PVC	PVC	PVC	PP	PP	PP
11	GASKET	PTFE	PTFE	PTFE	PTFE	PTFE	PTFE
12	GASKET	PTFE	PTFE	PTFE	PTFE	PTFE	PTFE
13	GASKET	PTFE	PTFE	PTFE	PTFE	PTFE	PTFE
14	GASKET	PTFE	PTFE	PTFE	PTFE	PTFE	PTFE
15	NIPPLE	PVC	PVC	PVC	PP	PP	PP
16	FLANGE	CARBON STEEL	AISI 316	PP LINED C.S.	CARBON STEEL	AISI 316	PP LINED C.S.
17	FLANGE	CARBON STEEL	AISI 316	PP LINED C.S.	CARBON STEEL	AISI 316	PP LINED C.S.

TYPE "D"

MATERIALS

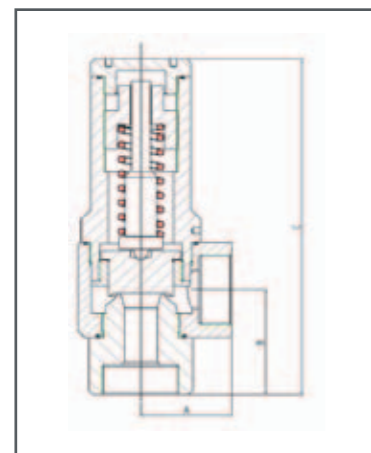
CHARACTERISTICS				
Orifice \varnothing / mm	20	25	30	
Discharge area / cm ²	3.14	4.91	7.068	
Pressure range / bar	0.5 ÷ 9	0.5 ÷ 8	0.5 ÷ 8	

INLET CONNECTIONS

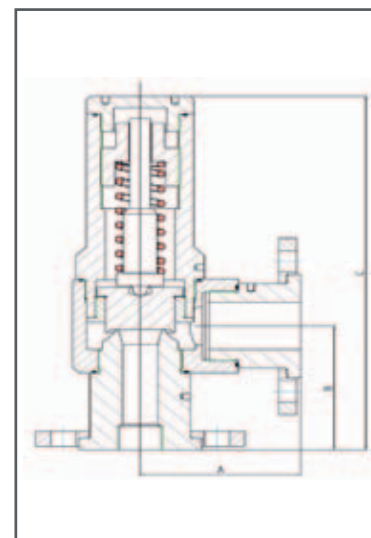
Threaded	1 1/2" - 2"	GAS / BSPP		
Flanged / ASME	1 1/2" - 2"	150# ÷ 300#	RF / FF	
Flanged / DIN	DN40/DN50	PN16 ÷ PN40		

OUTLET CONNECTIONS

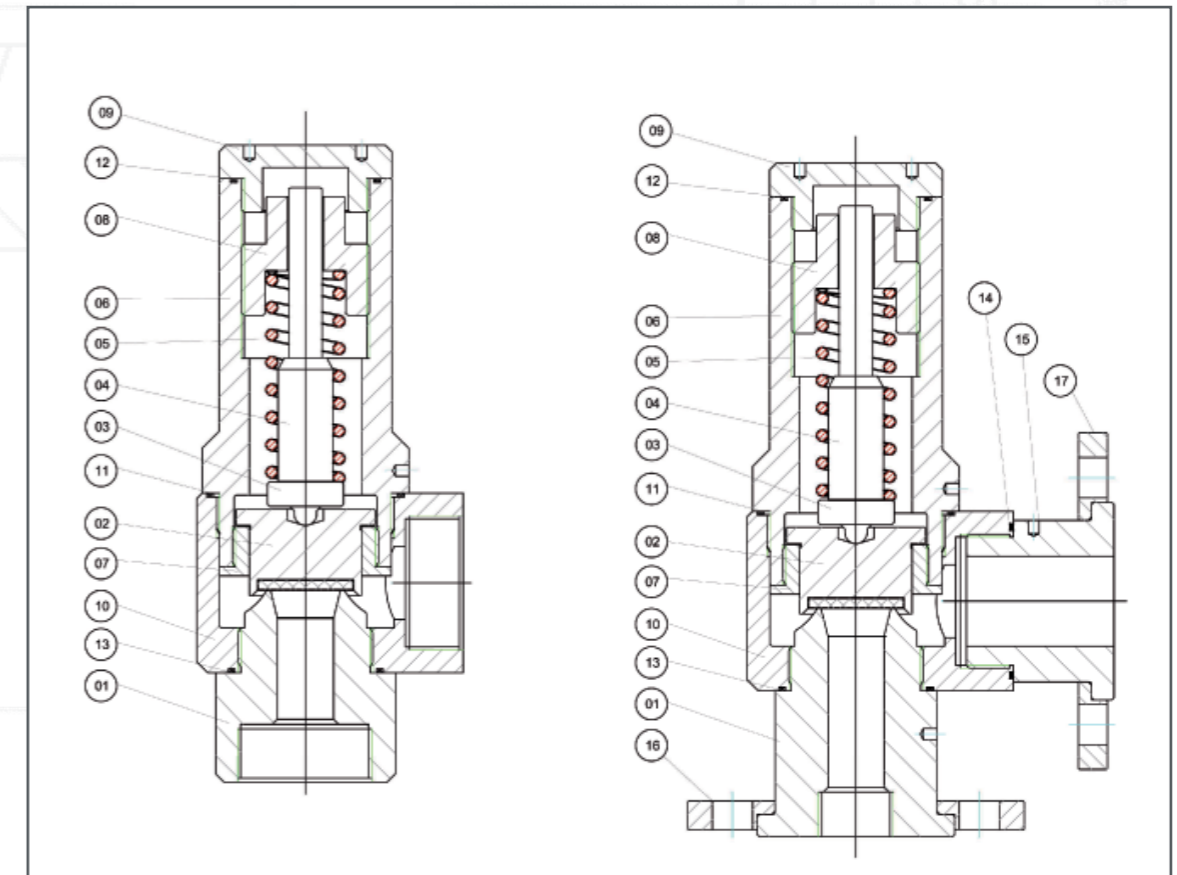
Threaded	2"	GAS / BSPP		
Flanged / ASME	2"	150# ÷ 300#	RF / FF	
Flanged / DIN	DN50	PN16 ÷ PN40		



CONNECTIONS	THREADED	A	B	C	WEIGHT
Type		mm	mm	mm	kg
1 1/2" x 2"	GAS-F	70	85	275	5
2" x 2"	GAS-F	70	85	275	5



CONNECTIONS	FLANGED	A	B	C	WEIGHT
Type		mm	mm	mm	kg
1 1/2" x 2"	ASME 150÷300 x 150÷300	115	105	300	7
2" x 2"	ASME 150÷300 x 150÷300	115	115	310	7
DN40 x DN50	PN 16÷40 x 16÷40	115	105	300	7
DN50 x DN50	PN 16÷40 x 16÷40	115	115	310	7

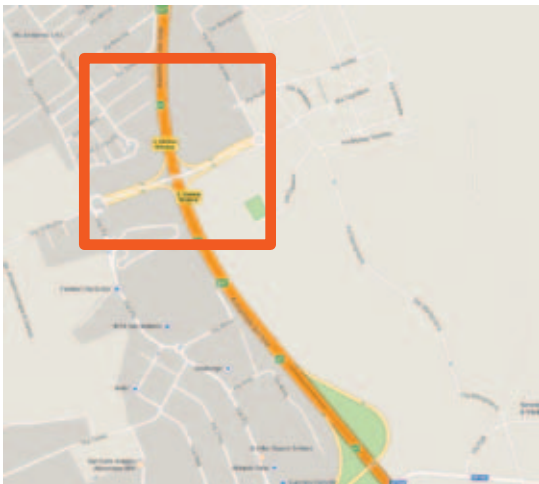


PART NAME		MATERIAL CODE					
		063	125	126	062	127	128
01	NOZZLE	PVC	PVC	PVC	PP	PP	PP
02	DISC	PTFE	PTFE	PTFE	PTFE	PTFE	PTFE
03	LOWER WASHER	PVC	PVC	PVC	PP	PP	PP
04	STEM	PVC	PVC	PVC	PP	PP	PP
05	SPRING	ALL. STEEL	ALL. STEEL	ALL. STEEL	ALL. STEEL	ALL. STEEL	ALL. STEEL
06	BONNET	PVC	PVC	PVC	PP	PP	PP
07	GUIDE	PVC	PVC	PVC	PP	PP	PP
08	SET SCREW	PVC	PVC	PVC	PP	PP	PP
09	CAP	PVC	PVC	PVC	PP	PP	PP
10	BODY	PVC	PVC	PVC	PP	PP	PP
11	GASKET	PTFE	PTFE	PTFE	PTFE	PTFE	PTFE
12	GASKET	PTFE	PTFE	PTFE	PTFE	PTFE	PTFE
13	GASKET	PTFE	PTFE	PTFE	PTFE	PTFE	PTFE
14	GASKET	PTFE	PTFE	PTFE	PTFE	PTFE	PTFE
15	NIPPLE	PVC	PVC	PVC	PP	PP	PP
16	FLANGE	CARBON STEEL	AISI 316	PP LINED C.S.	CARBON STEEL	AISI 316	PP LINED C.S.
17	FLANGE	CARBON STEEL	AISI 316	PP LINED C.S.	CARBON STEEL	AISI 316	PP LINED C.S.



LA CENTRALE COMUNICATI

How to reach our Company



1. **Highway A1** (tangenziale Ovest) exit San Giuliano Milanese
2. proceed to **Via della Liberazione**



COI TECHNOLOGY S.r.l.
Via della Liberazione, 29/D
20098 San Giuliano Milanese (MI) Italy
Tel. +39 02 36 68 94 80
Fax +39 02 99 76 78 75
E-mail: info@coitech.it
www.coitech.it