



# SLK

## SERIES

### SAFETY VALVES



# SLK SERIES

## TABLE OF CONTENTS

### ST. STEEL / CARBON STEEL VERSION

Introduction	Page 1
Type A	Page 2 - 3
Type B	Page 4 - 5
Type C	Page 6 - 7
Type D	Page 8 - 9
Type I	Page 14 - 15

### COPPER ALLOY VERSION

Type E	Page 10 - 11
Type F	Page 12 - 13
Type H	Page 16 ÷ 23

**Relief Valves SLK-Series** are spring loaded pressure relieving devices, suitable for discharge of compressible fluids. SLK-series safety valves are used to protect personnel and equipment by preventing excessive pressure accumulation.

Coi Technology offers a large range of screwed and flanged valves in a variety of sizes, materials and options. The valves are of a full nozzle type and available in copper alloy or steel versions.

#### Application

- Air Compressors
- Steam generators / Boilers
- Autoclaves
- Technical gases
- Natural gas and technical gas compressors

#### Materials

AISI 316L, Brass, Bronze, Carbon steel, Duplex, Monel.

#### Design

- Construction: Carried exhaust and free discharge
- Seat sealing type: PTFE, PEEK, Metal to Metal, Viton, Nbr, Kalrez, EPDM
- Connections: Screwed and flanged (ANSI / DIN)
- Connections types: NPT, GAS/BSPP
- Flange ratings: ASME 150 ÷ 2500 / PN16 ÷ PN 400
- Sizes: 1/2" ÷ 2" / DN 15 ÷ DN 50
- Orifices: 6, 8, 10, 14, 20, 25, 30, 38 mm
- Characteristic: Full lift
- Overpressure: 10%
- Blowdown: 15%
- Discharge coeff. Kd: 0.94
- Temperature range: -196°C + 350°C
- Set pressure range: 0.5 ÷ 690 barg (steel version)
- Set pressure range: 0.5 ÷ 50 barg (Brass version)
- Design standard EN 4126-1

#### Approvals

- CE marking according to 97/23/CE (PED) mod. H1
- ATEX 94/9 CEM

# TYPE "A"

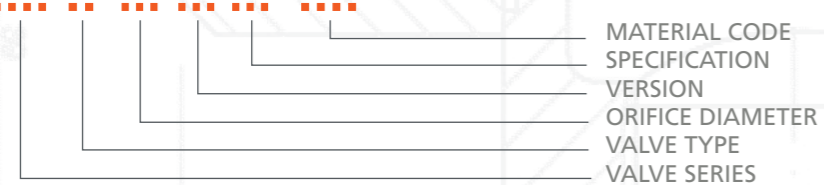
# MATERIALS

## DESCRIPTION

SLK-Series is a direct loaded, carried exhaust and full lift safety valve manufactured with high quality materials which complies with the strictest international standards.

## PART CODE DESCRIPTION

**SLK C - xx AI xx - xxx**



MATERIAL CODE  
SPECIFICATION  
VERSION  
ORIFICE DIAMETER  
VALVE TYPE  
VALVE SERIES

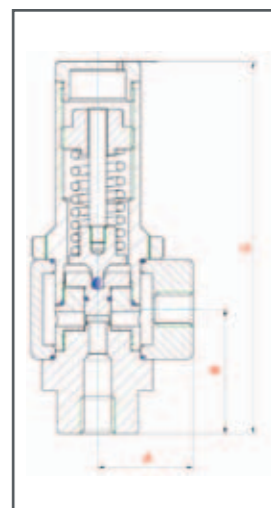
## CHARACTERISTICS

Orifice diameter	6 mm
Orifice area	0.28 cm <sup>2</sup>
Inlet connection	1/4" - 1/2"
Outlet connection	1/4" - 1/2"
ND inlet max.	15 mm
ND outlet	15 mm
Setting range	0,5 bar - 650 bar
Discharge coefficient kd	0,94
Lift to discharge pressure	2.7 mm
Overpressure	10%
Blowdown	15%
Temperature range	from -45° C to +200° C
Fluids	Gas

## TYPE APPROVAL

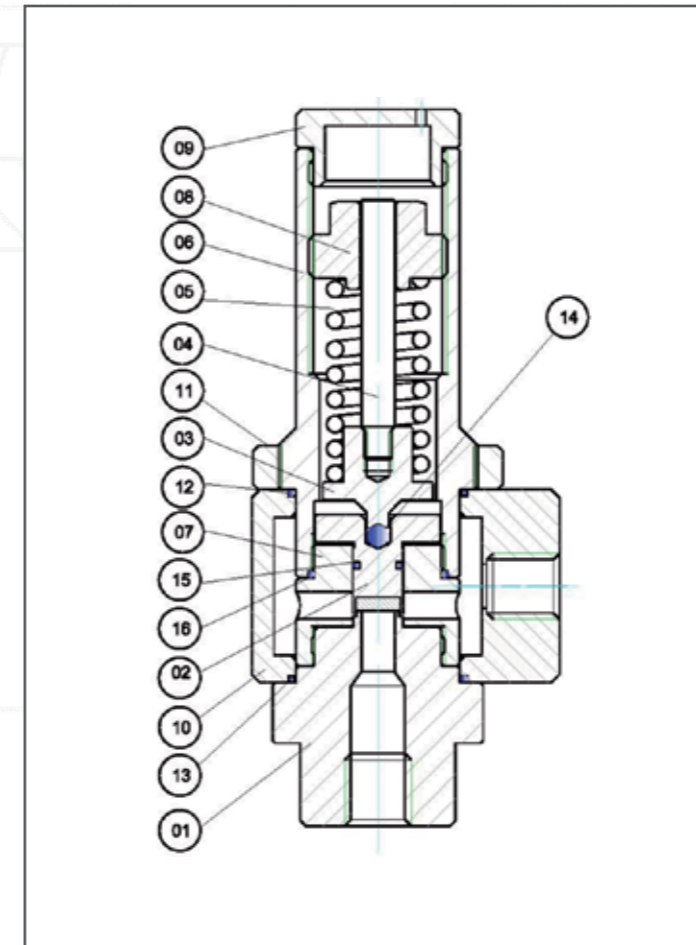
DIR. 97/23/CE - PED - H1 CERT. N° 01 202 IT/Q-12 1280 / Approval SLK series P 281 12 1118/d / Standard EN 4126-1

ISO 9001:2008 CERT. N° 01 100 125538



## DIMENSIONS

XX=Orifice	XX=Specification	Connections type		A mm	B mm	C mm	WEIGHT kg
		in	out				
06	01	1/2" NPT-F		33	43.5	130	1,0
06	10	1/4" NPT-F	1/4"-1/2" NPT-F				
06	14	1/2" NPT-F	GAS-F				
06	38	1/4" NPT-F					



## PART NAME MATERIAL CODE

PART NAME	MATERIAL CODE	
	011	012
01 NOZZLE	AISI 316L	AISI 316L
02 DISC	AISI 316L/PTFE	AISI 316L/PEEK
03 LOWER WASHER	AISI 316L	AISI 316L
04 STEM	AISI 316L	AISI 316L
05 SPRING	ALL. STEEL	ALL. STEEL
06 BONNET	AISI 316L	AISI 316L
07 GUIDE	AISI 316L	AISI 316L
08 SET SCREW	AISI 316L	AISI 316L
09 CAP	AISI 316L	AISI 316L
10 BODY	AISI 316L	AISI 316L
11 LOCK NUT	AISI 316L	AISI 316L
12 BALL	VITON	VITON
13 GASKET	VITON	VITON
14 BALL	AISI 316	AISI 316
15 GASKET	VITON	VITON
16 GASKET	VITON	VITON

# TYPE "B"

# MATERIALS

## DESCRIPTION

SLK-Series is a direct loaded, carried exhaust and full lift safety valve manufactured with high quality materials which complies with the strictest international standards.

## PART CODE DESCRIPTION

**SLK C - xx BI xx - xxx**



MATERIAL CODE  
SPECIFICATION  
VERSION  
ORIFICE DIAMETER  
VALVE TYPE  
VALVE SERIES

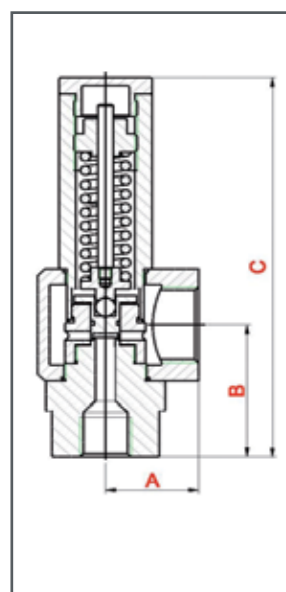
## CHARACTERISTICS

Orifice diameter	08 mm	10 mm
Orifice area	0.502 cm <sup>2</sup>	0.785 cm <sup>2</sup>
Inlet connection	1/2" - 3/4" - 1"	1/2" - 3/4" - 1"
Outlet connection	1"	1"
ND inlet max.	25 mm	25 mm
ND outlet	25 mm	25 mm
Setting range	0,5 bar - 450 bar	0,5 bar - 380 bar
Discharge coefficient kd	0,94	0,94
Lift to discharge pressure	3.5 mm	4.5 mm
Overpressure	10%	10%
Blowdown	15%	15%
Temperature range	from -45° C to +200° C	from -45° C to +200° C
Fluids	Gas	Gas

## TYPE APPROVAL

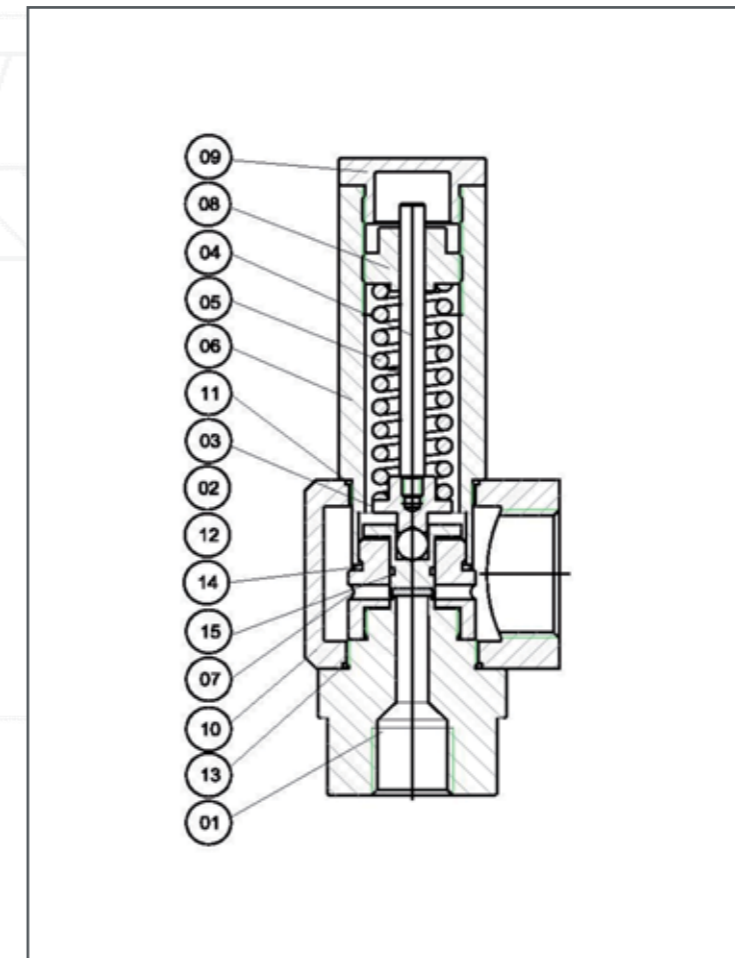
DIR. 97/23/CE - PED - H1 CERT. N° 01 202 IT/Q-12 1280 / Approval SLK series P 281 12 1118/d / Standard EN 4126-1

ISO 9001:2008 CERT. N° 01 100 125538



## DIMENSIONS

XX=Orifice	XX=Specification	Connections type		A mm	B mm	C mm	WEIGHT kg
		in	out				
08	04	1/2" NPT-M	1" NPT-F / GAS-F	37	55	162	2,5
08	44	3/4" NPT-F					
08	35	3/4" NPT-F					
10	6A	3/4" NPT-F					
10	95	3/4" NPT-F					



PART NAME		MATERIAL CODE			
		011	012	038	055
01	NOZZLE	AISI 316L	AISI 316L	AISI 316L	AISI 316L
02	DISC	AISI 316L/PTFE	AISI 316L/PEEK	AISI 316L/PEEK	AISI 316L/PTFE
03	LOWER WASHER	AISI 316L	AISI 316L	AISI 316L	AISI 316L
04	STEM	AISI 316L	AISI 316L	AISI 316L	AISI 316L
05	SPRING	ALL. STEEL	ALL. STEEL	ALL. STEEL	ALL. STEEL
06	BONNET	AISI 316L	AISI 316L	CARB. STEEL	CARB. STEEL
07	GUIDE	AISI 316L	AISI 316L	AISI 316L	AISI 316L
08	SET SCREW	AISI 316L	AISI 316L	AISI 316L	AISI 316L
09	CAP	AISI 316L	AISI 316L	CARB. STEEL	CARB. STEEL
10	BODY	AISI 316L	AISI 316L	AISI 316L	AISI 316L
11	GASKET	VITON	VITON	VITON	VITON
12	BALL	AISI 316	AISI 316	AISI 316	AISI 316
13	GASKET	VITON	VITON	VITON	VITON
14	GASKET	VITON	VITON	VITON	VITON
15	GASKET	VITON	VITON	VITON	VITON

# TYPE "C"

# MATERIALS

## DESCRIPTION

SLK-Series is a direct loaded, carried exhaust and full lift safety valve manufactured with high quality materials which complies with the strictest international standards.

## PART CODE DESCRIPTION

**SLK C - xx CI xx - xxx**



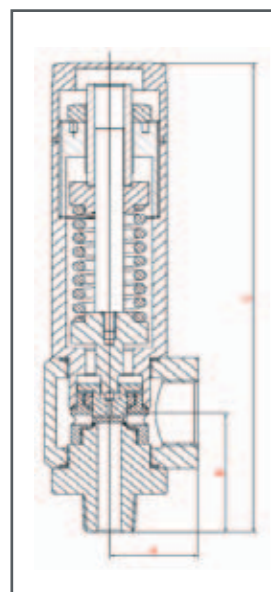
## CHARACTERISTICS

Orifice diameter	10 mm	14 mm
Orifice area	0.785 cm <sup>2</sup>	1.54 cm <sup>2</sup>
Inlet connection	1/2" - 3/4" - 1"	3/4" - 1"
Outlet connection	1"	1"
ND inlet max.	25 mm	25 mm
ND outlet	25 mm	25 mm
Setting range	0,5 bar - 380 bar	0,5 bar - 180 bar
Discharge coefficient kd	0,94	0,94
Lift to discharge pressure	4.5 mm	6.5 mm
Overpressure	10%	10%
Blowdown	15%	15%
Temperature range	from -196° C to +200° C	from -196° C to +200° C
Fluids	Gas	Gas

## TYPE APPROVAL

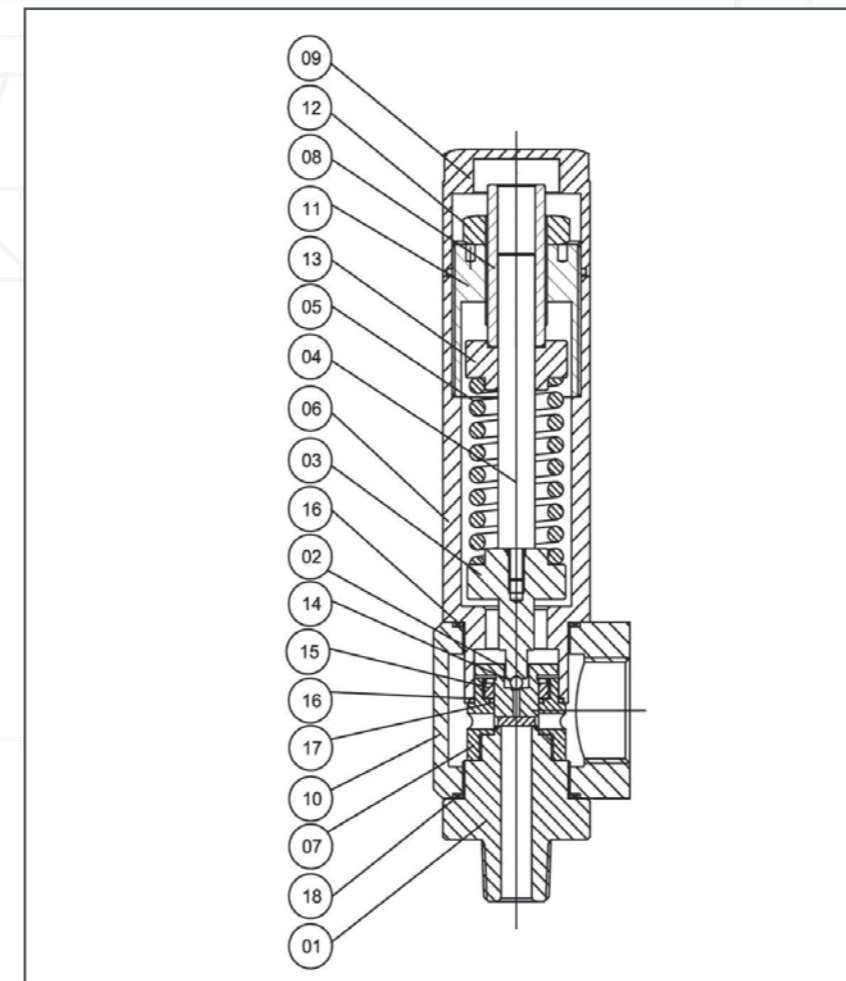
DIR. 97/23/CE - PED - H1 CERT. N° 01 202 IT/Q-12 1280 / Approval SLK series P 281 12 1118/d / Standard EN 4126-1

ISO 9001:2008 CERT. N° 01 100 125538



## DIMENSIONS

XX=Orifice	XX=Specification	Connections type		A mm	B mm	C mm	WEIGHT kg
		in	out				
10	03	1/2" NPT-M	1" NPT-F	37	72	248	3,0
10	26	1/2" NPT-F					
10	07	3/4" NPT-F					
14	03	3/4" NPT-F					
14	42	3/4" NPT-F					



	PART NAME	MATERIAL CODE			
		055	038	011	012
01	NOZZLE	AISI 316L	AISI 316L	AISI 316L	AISI 316L
02	DISC	AISI 316L/PTFE	AISI 316L/PEEK	AISI 316L/PTFE	AISI 316L/PEEK
03	LOWER WASHER	CARBON. STEEL	CARBON. STEEL	AISI 316L	AISI 316L
04	STEM	BRASS	BRASS	AISI 316L	AISI 316L
05	SPRING	ALL. STEEL	ALL. STEEL	AISI 316	AISI 316
06	BONNET	CARBON. STEEL	CARBON. STEEL	AISI 316L	AISI 316L
07	GUIDE	BRASS	BRASS	AISI 316L	AISI 316L
08	SET SCREW	BRASS	BRASS	AISI 316L	AISI 316L
09	CAP	CARBON. STEEL	CARBON. STEEL	AISI 316L	AISI 316L
10	BODY	CARBON. STEEL	CARBON. STEEL	AISI 316L	AISI 316L
11	PRE SETT. SCREW	BRASS	BRASS	BRASS	BRASS
12	NUT	BRASS	BRASS	AISI 316L	AISI 316L
13	UPER WASHER	CARBON. STEEL	CARBON. STEEL	AISI 316L	AISI 316L
14	BALL	AISI 316	AISI 316	AISI 316	AISI 316
15	NUT	BRASS	BRASS	AISI 316L	AISI 316L
16	GASKET	VITON	VITON	VITON	VITON
17	GASKET	VITON	VITON	VITON	VITON
18	GASKET	VITON	VITON	VITON	VITON
19	GASKET	VITON	VITON	VITON	VITON

# TYPE "D"

# MATERIALS

## DESCRIPTION

SLK-Series is a direct loaded, carried exhaust and full lift safety valve manufactured with high quality materials which complies with the strictest international standards.

## PART CODE DESCRIPTION

**SLK C - xx DI xx - xxx**



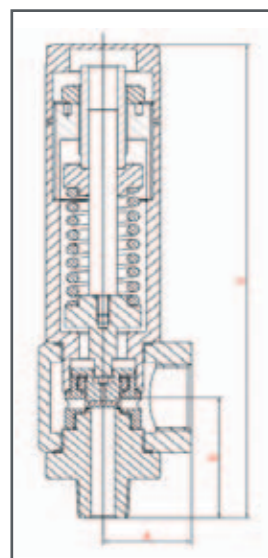
## CHARACTERISTICS

Orifice diameter	10 mm	14 mm
Orifice area	0.785 cm <sup>2</sup>	1.54 cm <sup>2</sup>
Inlet connection	1/2" - 3/4" - 1"	3/4" - 1"
Outlet connection	1 1/2"	1"
ND inlet max.	25 mm	25 mm
ND outlet	25 mm	25 mm
Setting range	0,5 bar - 380 bar	0,5 bar - 180 bar
Discharge coefficient kd	0,94	0,94
Lift to discharge pressure	4.5 mm	6.5 mm
Overpressure	10%	10%
Blowdown	15%	15%
Temperature range	from -45° C to +200° C	from -45° C to +200° C
Fluids	Gas	Gas

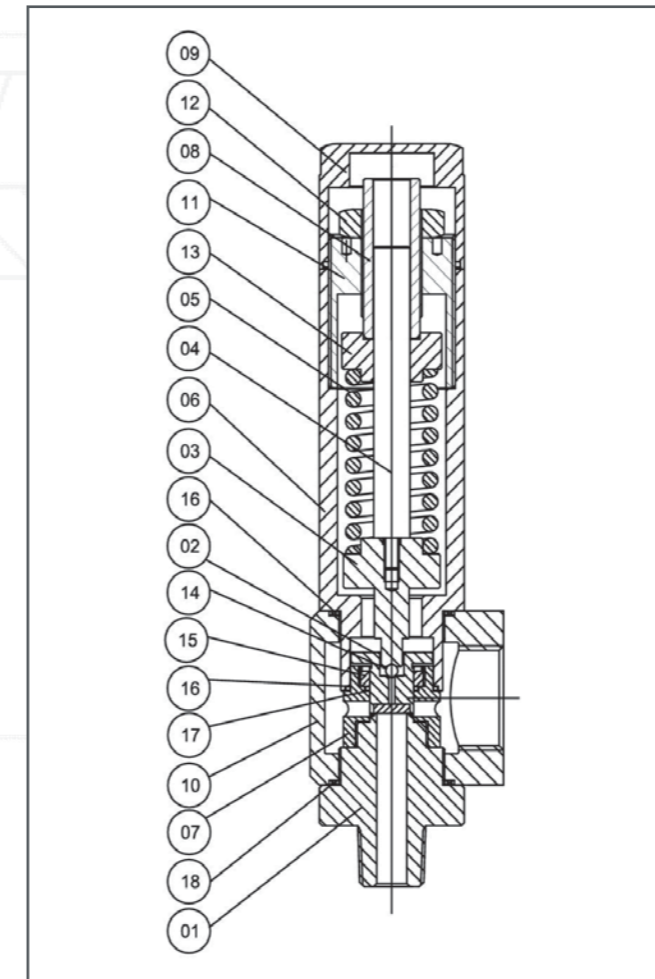
## TYPE APPROVAL

DIR. 97/23/CE - PED - H1 CERT. N° 01 202 IT/Q-12 1280 / Approval SLK series P 281 12 1118/d / Standard EN 4126-1  
 ISO 9001:2008 CERT. N° 01 100 125538

## DIMENSIONS



XX=Orifice	XX=Specification	Connections type		A	B	C	WEIGHT
		in	out				
10		1/2"	1 1/2" GAS-F	44	72	257	4,0
10		3/4"					
10		1"					
14		3/4"					
10		1"					



PART NAME	MATERIAL CODE			
	055	038	011	012
01 NOZZLE	AISI 316L	AISI 316L	AISI 316L	AISI 316L
02 DISC	AISI 316L/PTFE	AISI 316L/PEEK	AISI 316L/PTFE	AISI 316L/PEEK
03 LOWER WASHER	CARBON. STEEL	CARBON. STEEL	AISI 316L	AISI 316L
04 STEM	BRASS	BRASS	AISI 316L	AISI 316L
05 SPRING	ALL. STEEL	ALL. STEEL	AISI 316	AISI 316
06 BONNET	CARBON. STEEL	CARBON. STEEL	AISI 316L	AISI 316L
07 GUIDE	BRASS	BRASS	AISI 316L	AISI 316L
08 SET SCREW	BRASS	BRASS	AISI 316L	AISI 316L
09 CAP	CARBON. STEEL	CARBON. STEEL	AISI 316L	AISI 316L
10 BODY	CARBON. STEEL	CARBON. STEEL	AISI 316L	AISI 316L
11 PRE SETT. SCREW	BRASS	BRASS	BRASS	BRASS
12 NUT	BRASS	BRASS	AISI 316L	AISI 316L
13 UPER WASHER	CARBON. STEEL	CARBON. STEEL	AISI 316L	AISI 316L
14 BALL	AISI 316	AISI 316	AISI 316	AISI 316
15 NUT	BRASS	BRASS	AISI 316L	AISI 316L
16 GASKET	VITON	VITON	HNBR	HNBR
17 GASKET	VITON	VITON	HNBR	HNBR
18 GASKET	VITON	VITON	HNBR	HNBR
19 GASKET	VITON	VITON	HNBR	HNBR

# TYPE "E"

## MATERIALS

### DESCRIPTION

SLK-Series is a direct loaded, carried exhaust and full lift safety valve manufactured with high quality materials which complies with the strictest international standards.

### PART CODE DESCRIPTION

**SLK C - xx EA .xx - xxx**



MATERIAL CODE  
SPECIFICATION  
VERSION  
ORIFICE DIAMETER  
VALVE TYPE  
VALVE SERIES

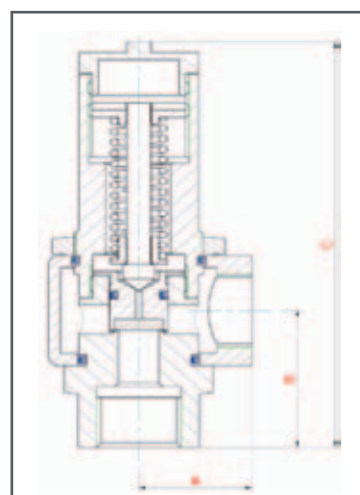
### CHARACTERISTICS

Orifice diameter	10 mm
Orifice area	0.785 cm <sup>2</sup>
Inlet connection	3/8" - 1/2"
Outlet connection	1/2"
ND inlet max.	15 mm
ND outlet	15 mm
Setting range	0,5 bar - 45 bar
Discharge coefficient kd	0,94 gas
Lift to discharge pressure	4.5 mm
Overpressure	10%
Blowdown	15%
Temperature range	from -196° C to +200° C
Fluids	Gas
Materials	See attached dwg

### TYPE APPROVAL

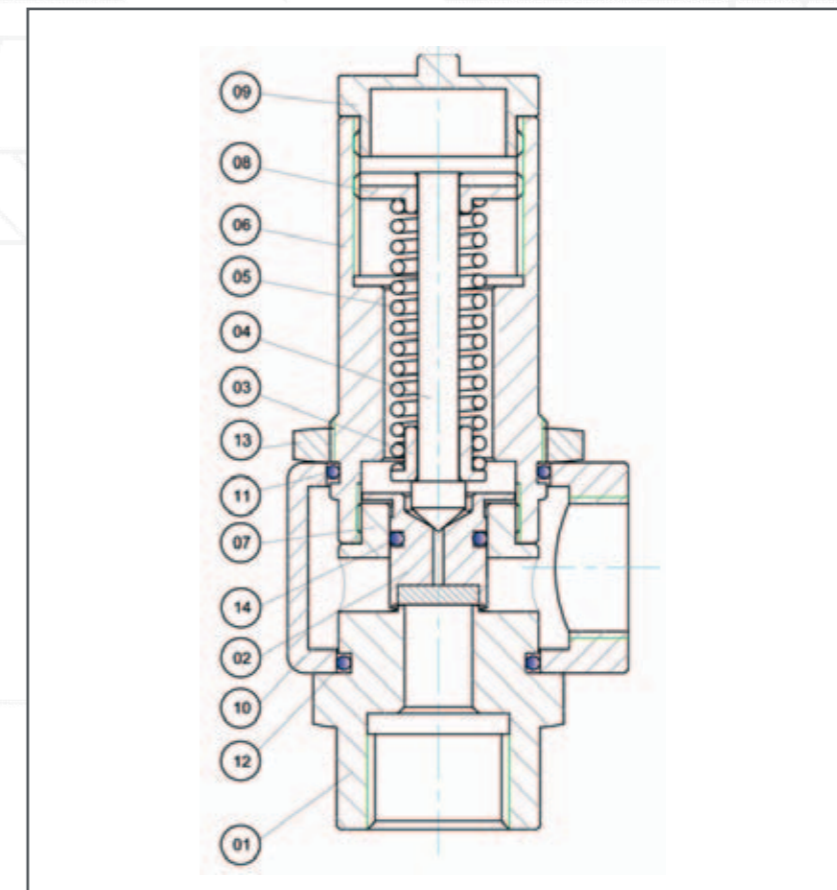
DIR. 97/23/CE - PED - H1 CERT. N° 01 202 IT/Q-12 1280 / Approval SLK series P 281 12 1118/d / Standard EN 4126-1

ISO 9001:2008 CERT. N° 01 100 125538



### DIMENSIONS

Connections type			A	B	C	WEIGHT
XX = Specification	in	out	mm	mm	mm	kg
2C	3/8" GAS-F	1/2"	28	38,5	115	1,0
79	1/2" GAS-F	GAS-F				



PART NAME		MATERIAL CODE
		<b>108</b>
01	NOZZLE	BRASS
02	DISC	BRASS
03	LOWER WASHER	BRASS / VITON
04	STEM	BRASS
05	SPRING	AISI 316
06	BONNET	BRASS
07	GUIDE	BRASS
08	SET SCREW	BRASS
09	CAP	BRASS
10	BODY	BRASS
11	GASKET	VITON
12	GASKET	VITON
13	NUT	BRASS
14	GASKET	VITON

# TYPE "F" MATERIALS

## DESCRIPTION

SLK-Series is a direct loaded full lift safety valve, available as free or carried exhaust and manufactured with high quality materials which comply with the strictest international standards.

### MATERIALS

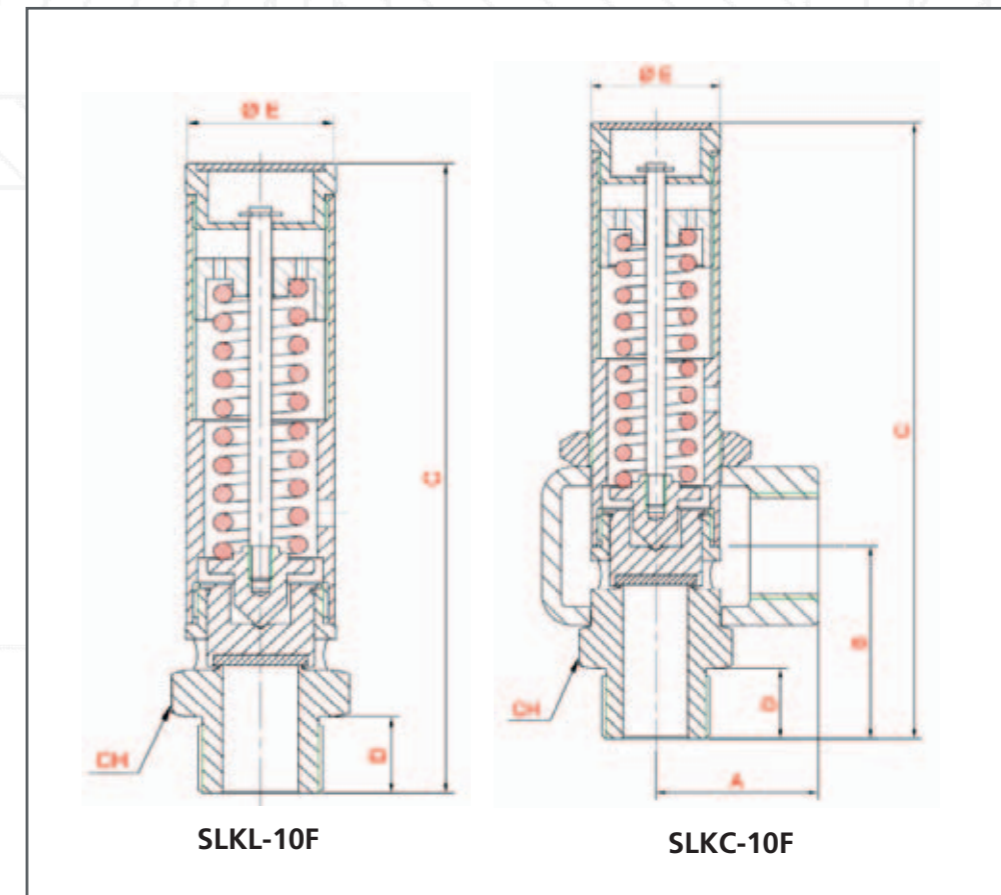
NOZZLE	BRASS / AISI 316L
DISC	BRASS / AISI 316L
BODY	BRASS / AISI 316L
SPRING	C85 / AISI 316
SEAT	Elastomer, plastic o metal

### CHARACTERISTICS

Orifice diameter	10 mm
Orifice area	0.785 cm <sup>2</sup>
Inlet connection	1/2" - 3/4"
Outlet connection	1/2" - 3/4"
Setting range	0,5 bar - 160 bar
Discharge coefficient kd	0,937 gas
Lift to discharge pressure	4.5 mm
Overpressure	10%
Blowdown	15%
Temperature range	-196° C +250° C
Fluids	Gas - steam

### TYPE APPROVAL

DIR. 97/23/CE - PED - H1 CERT. N° 01 202 IT/Q-12 1280 approval SLK series P 281 12 1118/d
ISO 9001:2008 CERT. N° 01 100 125538 TUV-RHEINLAND



### DIMENSIONS

	SLKL-10F	SLKC-10F	
A		28	
B		53	
C	150	155	
D	17	17	
E	31,5	29,5	
CH	32	32	



# TYPE "I"

# MATERIALS

## DESCRIPTION

SLK-Series is a direct loaded, carried exhaust and full lift safety valve manufactured with high quality materials which complies with the strictest international standards.

## PART CODE DESCRIPTION

**SLK C - xx IA xx - xxx**



MATERIAL CODE  
SPECIFICATION  
VERSION  
ORIFICE DIAMETER  
VALVE TYPE  
VALVE SERIES

## CHARACTERISTICS

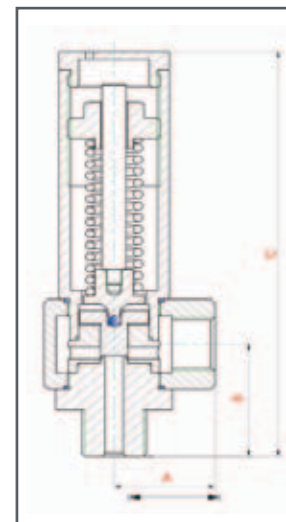
Orifice diameter	6 mm	10 mm
Orifice area	0.28 cm <sup>2</sup>	0.785 cm <sup>2</sup>
Inlet connection	1/4" - 1/2"	1/2"
Outlet connection	1/4" - 1/2"	1/2"
ND inlet max.	15 mm	15 mm
ND outlet	15 mm	15 mm
Setting range	0,5 bar - 650 bar	0,5 bar - 350 bar
Discharge coefficient kd	0,94 gas	0,94 gas
Lift to discharge pressure	2.7 mm	4.5 mm
Overpressure	10%	10%
Blowdown	15%	15%
Temperature range	from -196° C to +200° C	from -196° C to +200° C
Fluids	Gas	Gas

## TYPE APPROVAL

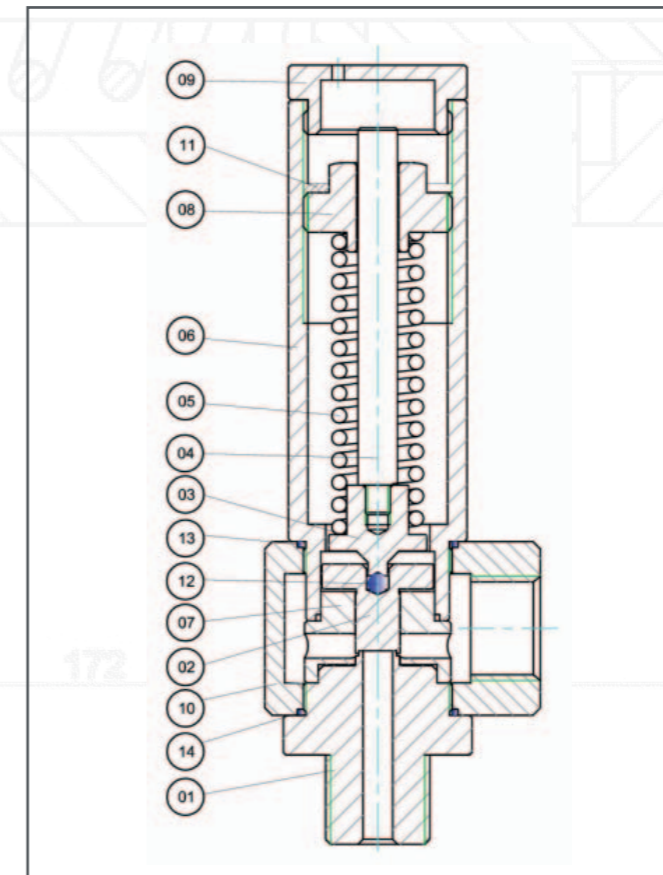
DIR. 97/23/CE - PED - H1 CERT. N° 01 202 IT/Q-12 1280 / Approval SLK series P 281 12 1118/d / Standard EN 4126-1

ISO 9001:2008 CERT. N° 01 100 125538

## DIMENSIONS



XX=Orifice	XX=Specification	Connections type		A	B	C	WEIGHT
		in	out				
10	86	1/2" NPT-F		33	43.5	158	1,2
10	3C	1/2" NPT-M	1/4"-1/2"				
10	82	1/2" GAS-F	NPT-F				
10	1C	1/2" GAS-M	GAS-F				



## PART NAME

## MATERIAL CODE

	PART NAME	MATERIAL CODE		
		011	012	020
01	NOZZLE	AISI 316L	AISI 316L	AISI 316L
02	DISC	AISI 316L/PTFE	AISI 316L/PEEK	MONEL
03	LOWER WASHER	AISI 316L	AISI 316L	AISI 316L
04	STEM	AISI 316L	AISI 316L	AISI 316L
05	SPRING	AISI 316	AISI 316	AISI 316
06	BONNET	AISI 316L	AISI 316L	AISI 316L
07	GUIDE	AISI 316L	AISI 316L	AISI 316L
08	SET SCREW	BRASS	BRASS	BRASS
09	CAP	AISI 316L	AISI 316L	AISI 316L
10	BODY	AISI 316L	AISI 316L	AISI 316L
11	SEEGER	AISI 316L	AISI 316L	AISI 316L
12	BALL	AISI 316	AISI 316	AISI 316
13	GASKET	PTFE	PTFE	PTFE
14	GASKET	PTFE	PTFE	PTFE

# TYPE "H"

# TYPE "H" 8 mm

## DESCRIPTION

SLK-Series is a direct loaded full lift safety valve, available as free or carried exhaust and manufactured with high quality materials which comply with the strictest international standards.

## CHARACTERISTICS

Orifice $\varnothing$ / mm	8	10	14	18	25	30	38
Discharge area / cm <sup>2</sup>	0.502	0.785	1.54	2.54	4.91	7.06	11.34
Pressure range / bar	0.5 ÷ 35	0.5 ÷ 35	0.5 ÷ 35	0.5 ÷ 35	0.5 ÷ 45	0.5 ÷ 35	0.5 ÷ 35

## INLET CONNECTIONS

Threaded	1/4" - 2"	NPT / GAS
Flanged	1/2" - 2"	ANSI / DIN

## OUTLET CONNECTIONS

FREE EXHAUST		
Threaded	1/2" - 2 1/2"	NPT / GAS
Flanged	1/2" - 2 1/2"	ANSI / DIN

## MATERIALS

NOZZLE	BRASS / AISI 316L
DISC	BRASS / AISI 316L
BODY	BRASS / AISI 316L
SPRING	C85 / AISI 316
SEAT	Elastomer, plastic

## CHARACTERISTICS

Orifice diameter	8 mm
Orifice area	0.502 cm <sup>2</sup>
Inlet connection	1/4" - 1/2"
Outlet connection	1/4" - 1/2"
Setting range	0,5 bar - 35 bar
Discharge coefficient kd	0,937 gas
Lift to discharge pressure	3.5 mm
Overpressure	10%
Blowdown	15%
Temperature range	-196° C +250° C
Fluids	Gas - steam

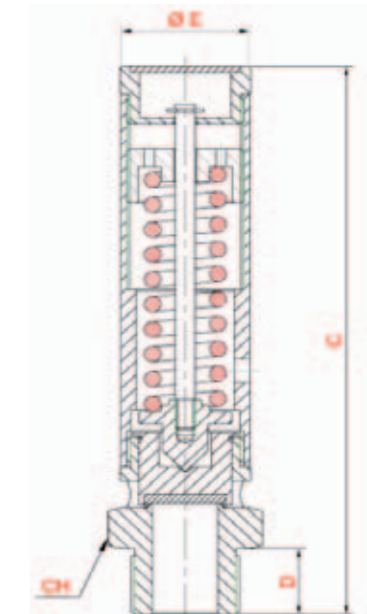
## TYPE APPROVAL

DIR. 97/23/CE - PED - H1 CERT. N° 01 202 IT/Q-12 1280 approval SLK series P 281 12 1118/d

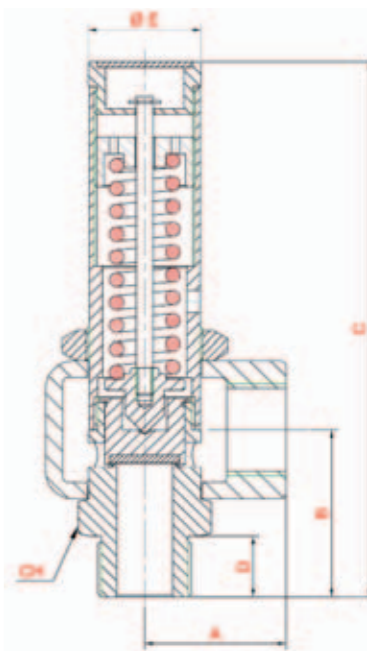
ISO 9001:2008 CERT. N° 01 100 125538 TUV-RHEINLAND

## DIMENSIONS

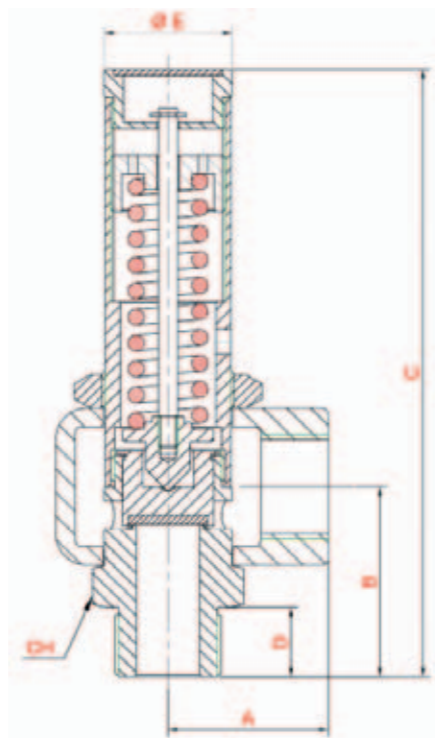
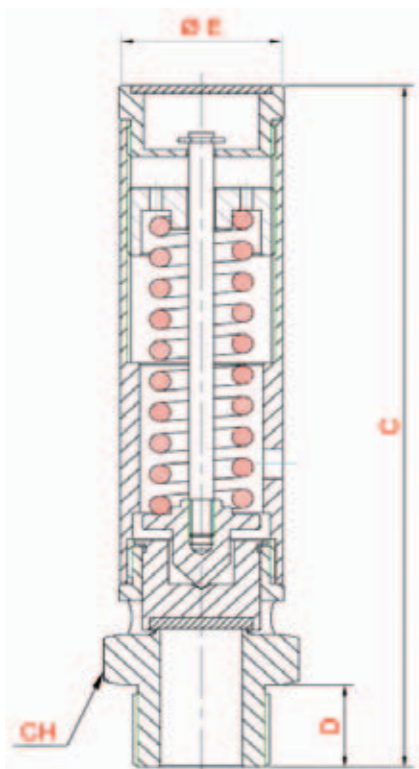
	SLKL - 08H	SLKC - 08H
A		28
B		31
C	70	85
D	12	12
E	20	22,5
CH	20	24



SLKL - 08H



SLKC - 08H



# TYPE "H" 10 mm

# TYPE "H" 14 mm

## DESCRIPTION

SLK-Series is a direct loaded full lift safety valve, available as free or carried exhaust and manufactured with high quality materials which comply with the strictest international standards.

## DESCRIPTION

SLK-Series is a direct loaded full lift safety valve, available as free or carried exhaust and manufactured with high quality materials which comply with the strictest international standards.

### MATERIALS

NOZZLE	BRASS / AISI 316L
DISC	BRASS / AISI 316L
BODY	BRASS / AISI 316L
SPRING	C85 / AISI 316
SEAT	Elastomer, plastic o metal

### CHARACTERISTICS

Orifice diameter	10 mm
Orifice area	0.785 cm <sup>2</sup>
Inlet connection	3/8" - 1/2"
Outlet connection	1/2"
Setting range	0,5 bar - 35 bar
Discharge coefficient kd	0,937 gas
Lift to discharge pressure	4.5 mm
Overpressure	10%
Blowdown	15%
Temperature range	-196° C +250° C
Fluids	Gas - steam

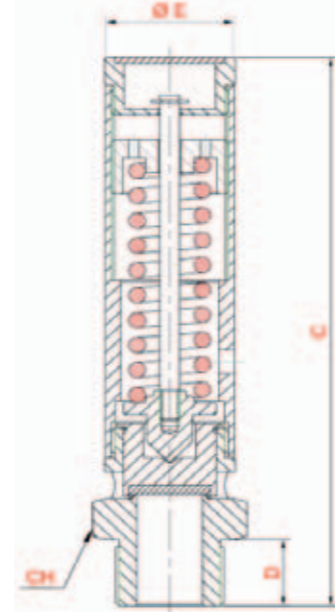
### TYPE APPROVAL

DIR. 97/23/CE - PED - H1 CERT. N° 01 202 IT/Q-12 1280 approval SLK series P 281 12 1118/d

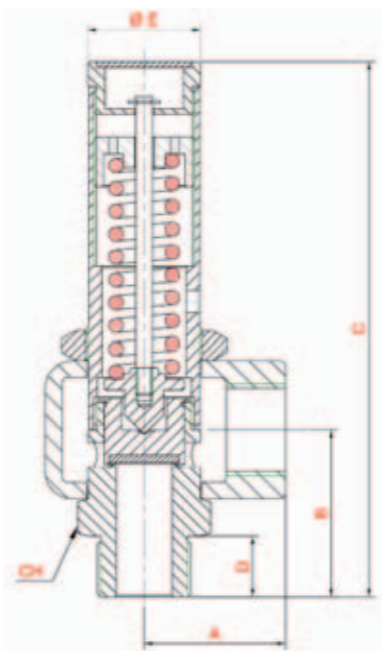
ISO 9001:2008 CERT. N° 01 100 125538 TUV-RHEINLAND

### DIMENSIONS

	SLKL - 10H	SLKC - 10H	
A		28	
B		31	
C	104	106	
D	12	12	
E	22,5	22,5	
CH	24	24	



SLKL - 10H



SLKC - 10H

### MATERIALS

NOZZLE	BRASS / AISI 316L
DISC	BRASS / AISI 316L
BODY	BRASS / AISI 316L
SPRING	C85 / AISI 316
SEAT	Elastomer, plastic o metal

### CHARACTERISTICS

Orifice diameter	14 mm
Orifice area	1.54 cm <sup>2</sup>
Inlet connection	1/2" - 3/4"
Outlet connection	1/2" - 3/4"
Setting range	0,5 bar - 35 bar
Discharge coefficient kd	0,937 gas
Lift to discharge pressure	6.5 mm
Overpressure	10%
Blowdown	15%
Temperature range	-196° C +250° C
Fluids	Gas - steam

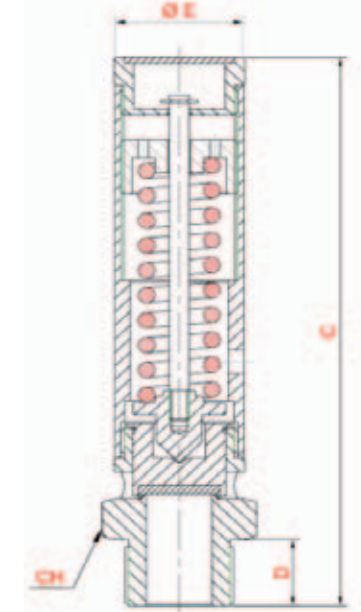
### TYPE APPROVAL

DIR. 97/23/CE - PED - H1 CERT. N° 01 202 IT/Q-12 1280 approval SLK series P 281 12 1118/d

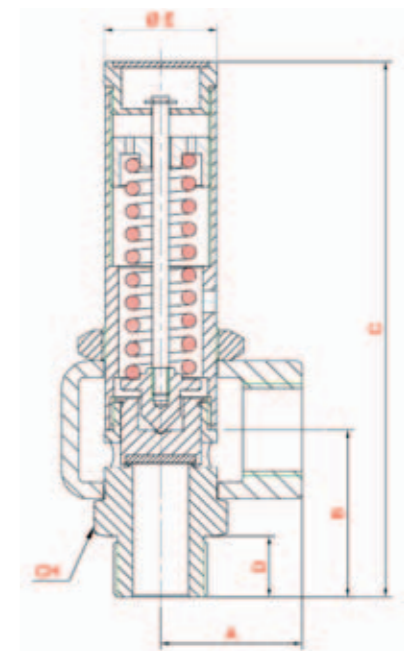
ISO 9001:2008 CERT. N° 01 100 125538 TUV-RHEINLAND

### DIMENSIONS

	SLKL - 14H	SLKC - 14H	
A		31	
B		40	
C	132	142	
D	15	15	
E	30	30	
CH	32	32	



SLKL - 14H



SLKC - 14H

# TYPE "H" 18 mm

# TYPE "H" 25 mm

## DESCRIPTION

SLK-Series is a direct loaded full lift safety valve, available as free or carried exhaust and manufactured with high quality materials which comply with the strictest international standards.

## DESCRIPTION

SLK-Series is a direct loaded full lift safety valve, available as free or carried exhaust and manufactured with high quality materials which comply with the strictest international standards.

### MATERIALS

NOZZLE	BRASS / AISI 316L
DISC	BRASS / AISI 316L
BODY	BRASS / AISI 316L / CARBON STEEL
SPRING	C85 / AISI 316
SEAT	Elastomer, plastic o metal

### CHARACTERISTICS

Orifice diameter	18 mm
Orifice area	2.54 cm <sup>2</sup>
Inlet connection	3/4" - 1"
Outlet connection	1 1/2"
Setting range	0,5 bar - 35 bar
Discharge coefficient kd	0,937 gas
Lift to discharge pressure	8 mm
Overpressure	10%
Blowdown	15%
Temperature range	-196° C +250° C
Fluids	Gas - steam

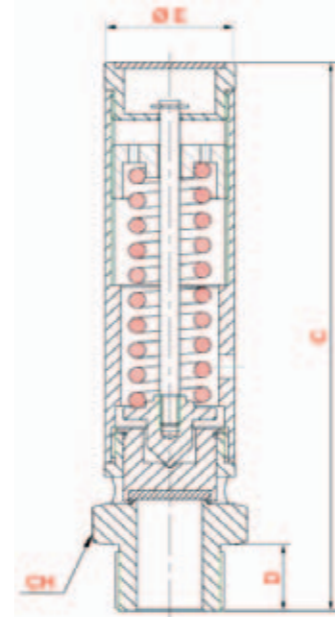
### TYPE APPROVAL

DIR. 97/23/CE - PED - H1 CERT. N° 01 202 IT/Q-12 1280 approval SLK series P 281 12 1118/d

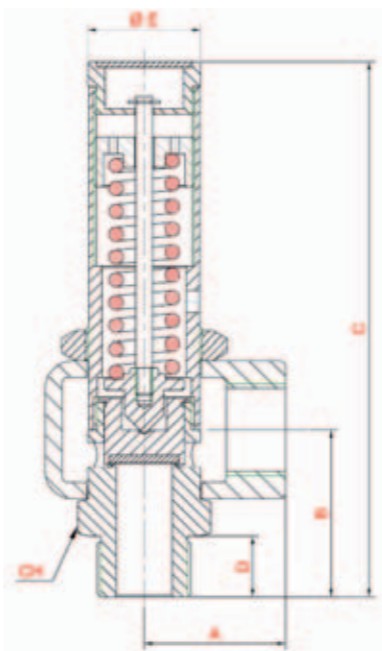
ISO 9001:2008 CERT. N° 01 100 125538 TUV-RHEINLAND

### DIMENSIONS

	SLKL - 18H	SLKC - 18H
A		63
B		69
C	192	219
D	20	20
E	40	40
CH	41	41



SLKL - 18H



SLKC - 18H

### MATERIALS

NOZZLE	BRASS / AISI 316L
DISC	BRASS / AISI 316L
BODY	BRASS / AISI 316L / CARBON STEEL
SPRING	C85 / AISI 316
SEAT	Elastomer, plastic o metal

### CHARACTERISTICS

Orifice diameter	25 mm
Orifice area	4.91 cm <sup>2</sup>
Inlet connection	1 1/4" - 1 1/2"
Outlet connection	1 1/2"
Setting range	0,5 bar - 45 bar
Discharge coefficient kd	0,937 gas
Lift to discharge pressure	11.5 mm
Overpressure	10%
Blowdown	15%
Temperature range	-196° C +250° C
Fluids	Gas - steam

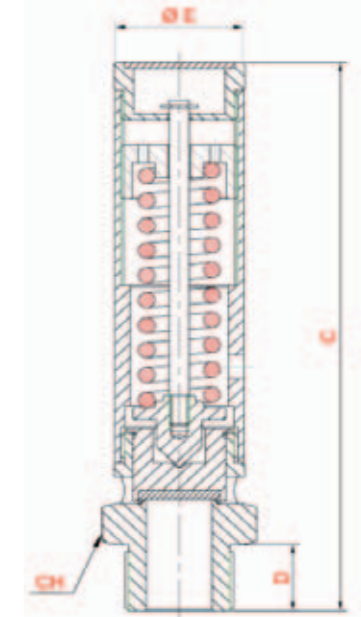
### TYPE APPROVAL

DIR. 97/23/CE - PED - H1 CERT. N° 01 202 IT/Q-12 1280 approval SLK series P 281 12 1118/d

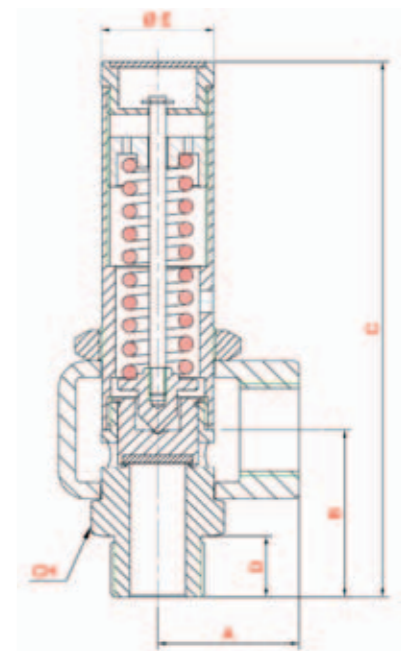
ISO 9001:2008 CERT. N° 01 100 125538 TUV-RHEINLAND

### DIMENSIONS

	SLKL - 25H	SLKC - 25H
A		70
B		77
C	230	271
D	22	22
E	60	60
CH	60	60



SLKL - 25H



SLKC - 25H

# TYPE "H" 30 mm

# TYPE "H" 38 mm

## DESCRIPTION

SLK-Series is a direct loaded full lift safety valve, available as free or carried exhaust and manufactured with high quality materials which comply with the strictest international standards.

## DESCRIPTION

SLK-Series is a direct loaded full lift safety valve, available as free or carried exhaust and manufactured with high quality materials which comply with the strictest international standards.

### MATERIALS

NOZZLE	BRASS / AISI 316L
DISC	BRASS / AISI 316L
BODY	BRASS / AISI 316L / CARBON STEEL
SPRING	C85 / AISI 316
SEAT	Elastomer, plastic o metal

### CHARACTERISTICS

Orifice diameter	30 mm
Orifice area	7.06 cm <sup>2</sup>
Inlet connection	1 1/2"
Outlet connection	2"
Setting range	0,5 bar - 35 bar
Discharge coefficient kd	0,937 gas
Lift to discharge pressure	13.5 mm
Overpressure	10%
Blowdown	15%
Temperature range	-196° C +250° C
Fluids	Gas - steam

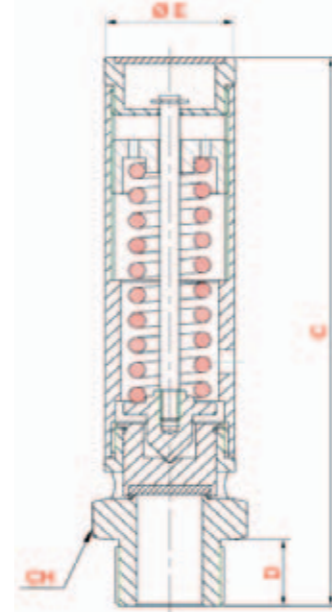
### TYPE APPROVAL

DIR. 97/23/CE - PED - H1 CERT. N° 01 202 IT/Q-12 1280 approval SLK series P 281 12 1118/d

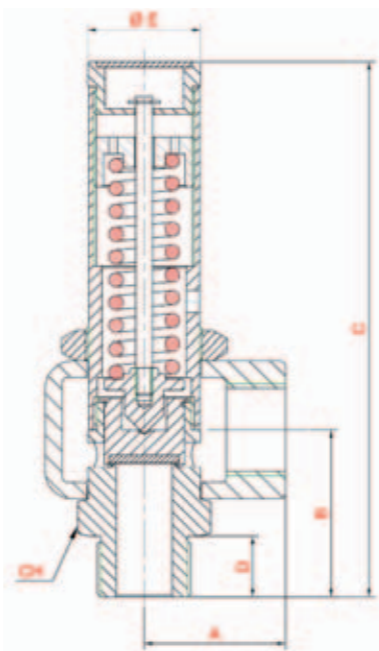
ISO 9001:2008 CERT. N° 01 100 125538 TUV-RHEINLAND

### DIMENSIONS

	SLKL- 30H	SLKC - 30H	
A		74	
B		84	
C	262	280	
D	25	25	
E	60	60	
CH	60	60	



SLKL - 30H



SLKC - 30H

### MATERIALS

NOZZLE	BRASS / AISI 316L
DISC	BRASS / AISI 316L
BODY	BRASS / AISI 316L / CARBON STEEL
SPRING	C85 / AISI 316
SEAT	Elastomer, plastic o metal

### CHARACTERISTICS

Orifice diameter	38 mm
Orifice area	11.34 cm <sup>2</sup>
Inlet connection	1 1/2" - 2"
Outlet connection	2 1/2"
Setting range	0,5 bar - 35 bar
Discharge coefficient kd	0,937 gas
Lift to discharge pressure	17 mm
Overpressure	10%
Blowdown	15%
Temperature range	-196° C +250° C
Fluids	Gas - steam

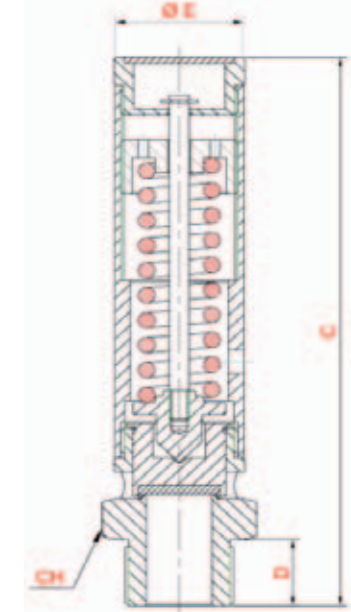
### TYPE APPROVAL

DIR. 97/23/CE - PED - H1 CERT. N° 01 202 IT/Q-12 1280 approval SLK series P 281 12 1118/d

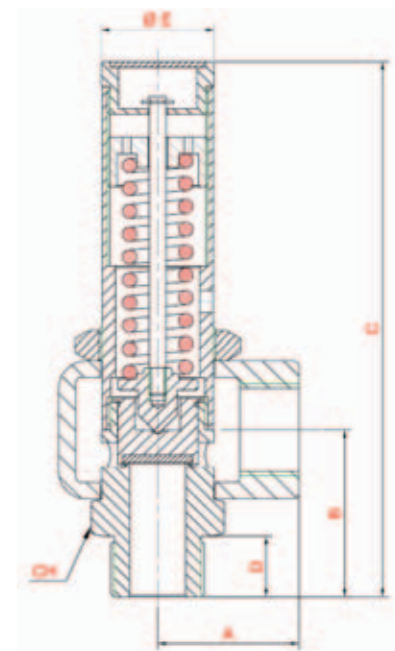
ISO 9001:2008 CERT. N° 01 100 125538 TUV-RHEINLAND

### DIMENSIONS

	SLKL - 38H	SLKC - 38H	
A		80	
B		100	
C	264	305	
D	25	25	
E	70	70	
CH	70	70	



SLKL - 38H

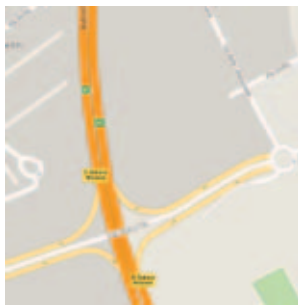
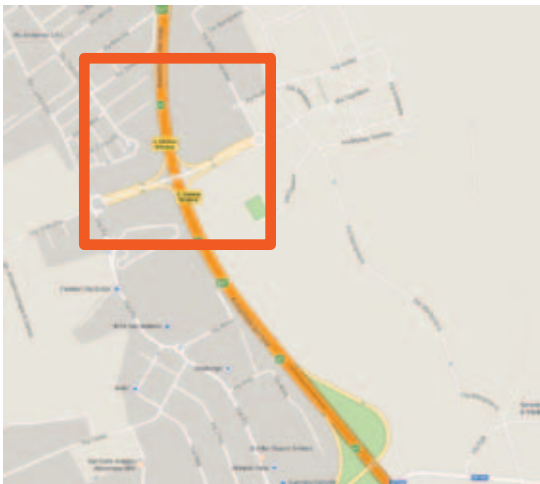


SLKC - 38H





### How to reach our Company



1. **Highway A1** (tangenziale Ovest) exit San Giuliano Milanese
2. proceed to **Via della Liberazione**



COI TECHNOLOGY S.r.l.  
Via della Liberazione, 29/D  
20098 San Giuliano Milanese (MI) Italy  
Tel. +39 02 36 68 94 80  
Fax +39 02 99 76 78 75  
E-mail: [info@coitech.it](mailto:info@coitech.it)  
[www.coitech.it](http://www.coitech.it)